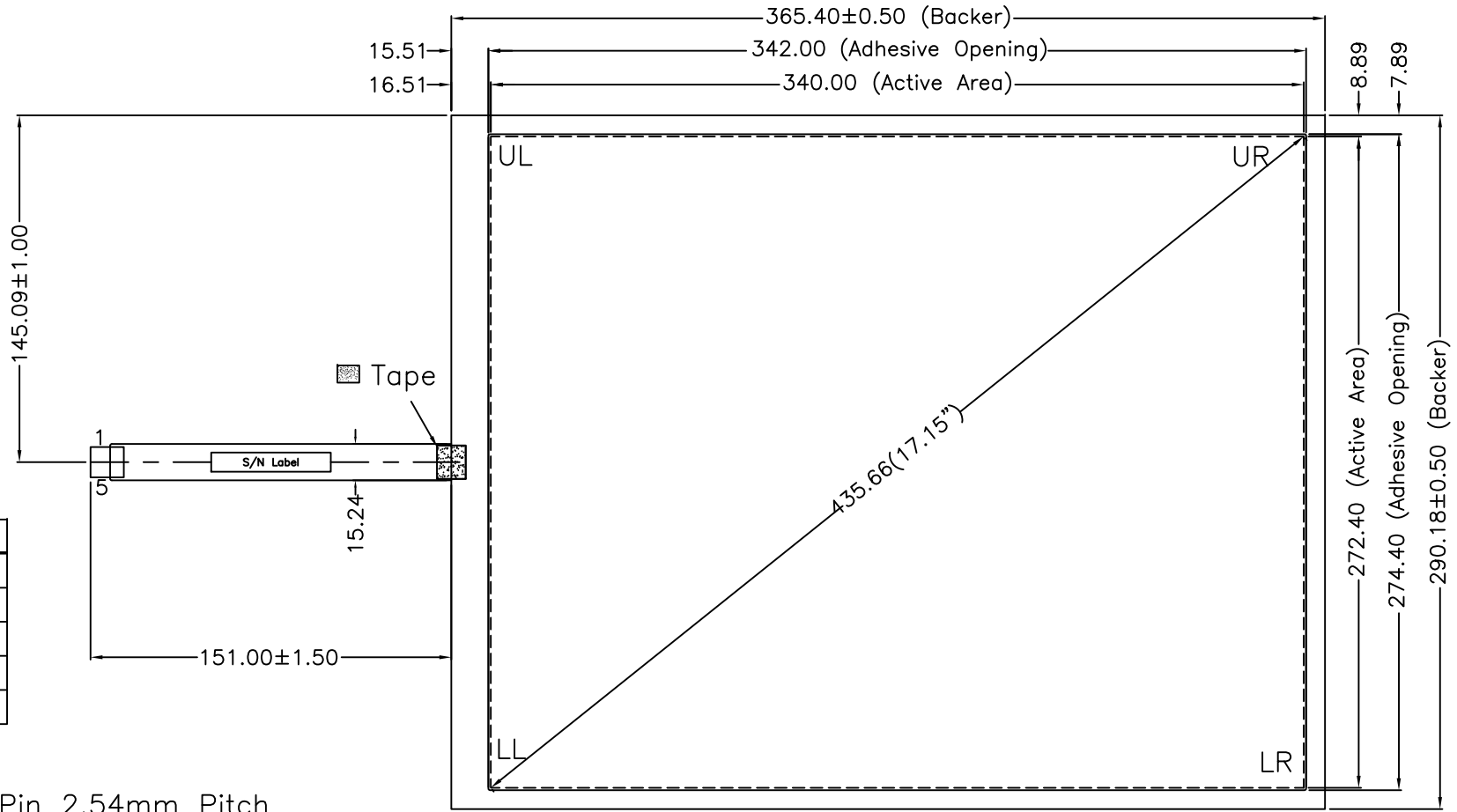
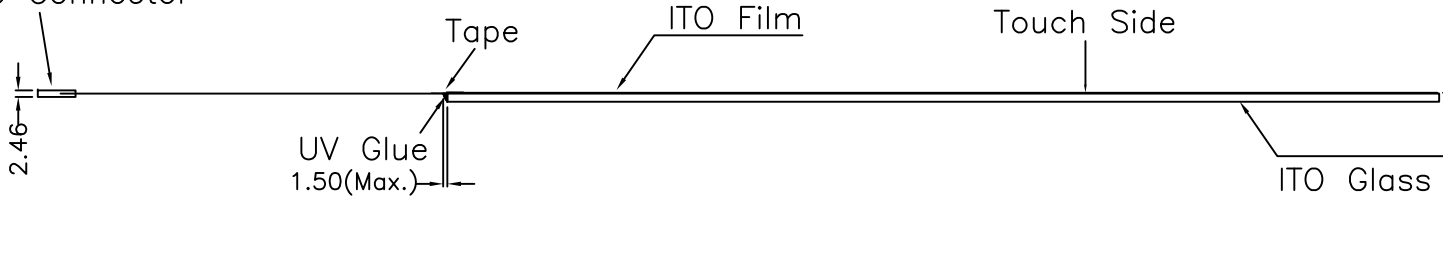


TOUCH SIDE VIEW



Pin#	Assignment
1	UR
2	LR
3	S
4	UL
5	LL

5 Pin 2.54mm Pitch Female Connector



NOTES:

1. ITO GLASS THICKNESS : 2.80mm
 2. OVERALL THICKNESS : 3.20±0.20mm
 3. CONNECTOR AND PINOUT AS INDICATED
 4. FRONT SURFACE : ANTI-GLARE
 5. TAIL TYPE : FPC WITH CONNECTOR AMP-COMPATIBLE ELECTRO TIN PLATED CONTACT
 6. OTHER SPEC : SEE APPROVAL SHEET
- *BEFORE DESIGN PLEASE REFER TO THE INTEGRATION GUIDE

B	Jun. 04, 2012	Modify Circuit Design & Overall Thickness	Grace
A	MAR.06,07	Pattern modified	Alex
NO.	DATE	DESCRIPTION	CHK
REVISION			
CHIEF OF DESIGN		APPROVED	Grace
ENGINEER		PROJECT MANAGER	
DRAWN BY	Jasper	DATE	Jun. 04, 2012
SHT	1 OF 1	REV.	B

Apex Material Technology Corp.

TOLERANCES UNLESS SPECIFIED	
.X	± 0.50
.XX	± 0.50
.XXX	± 0.30
ANGULAR	.

MODEL NAME : 02512-00
 DWG NO : 02512-2-01
 SCALE: 1:1 UNIT: mm

