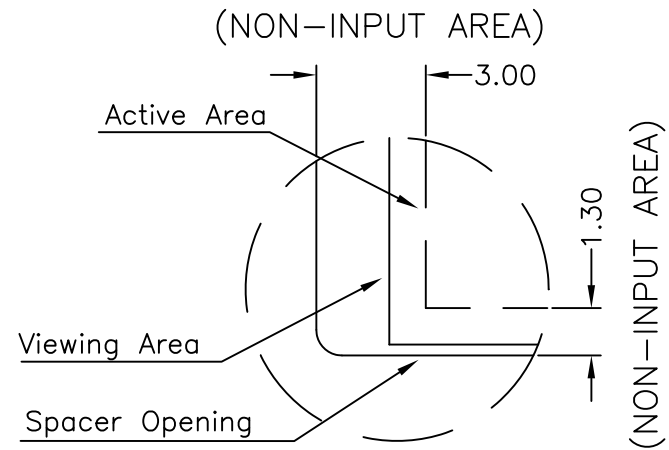
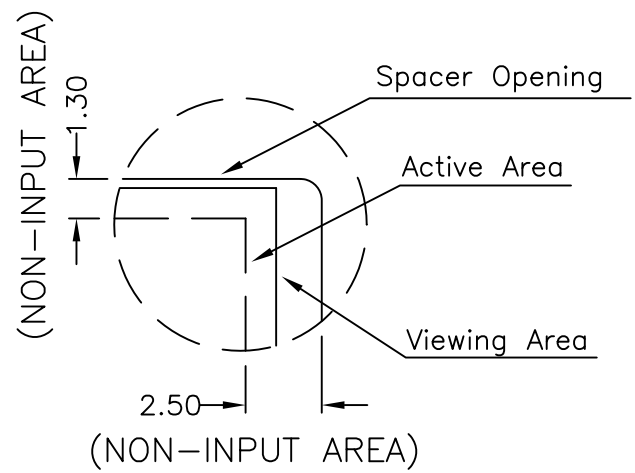
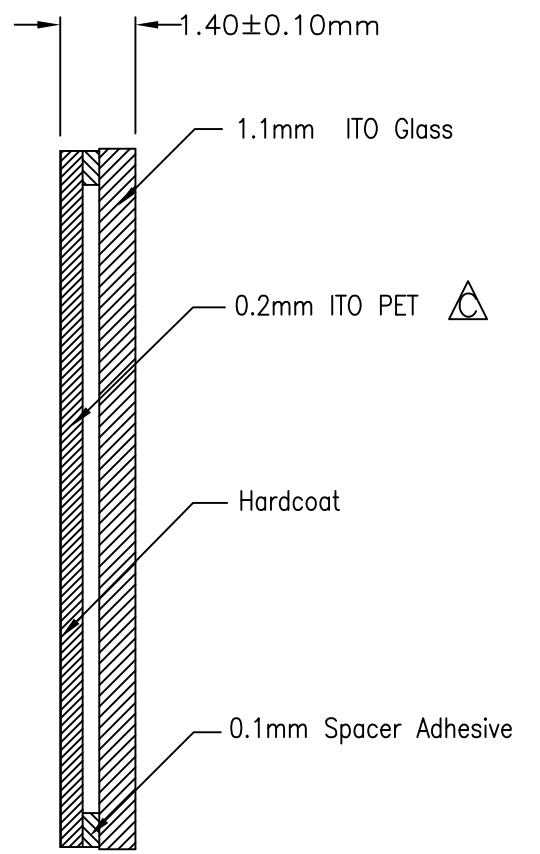
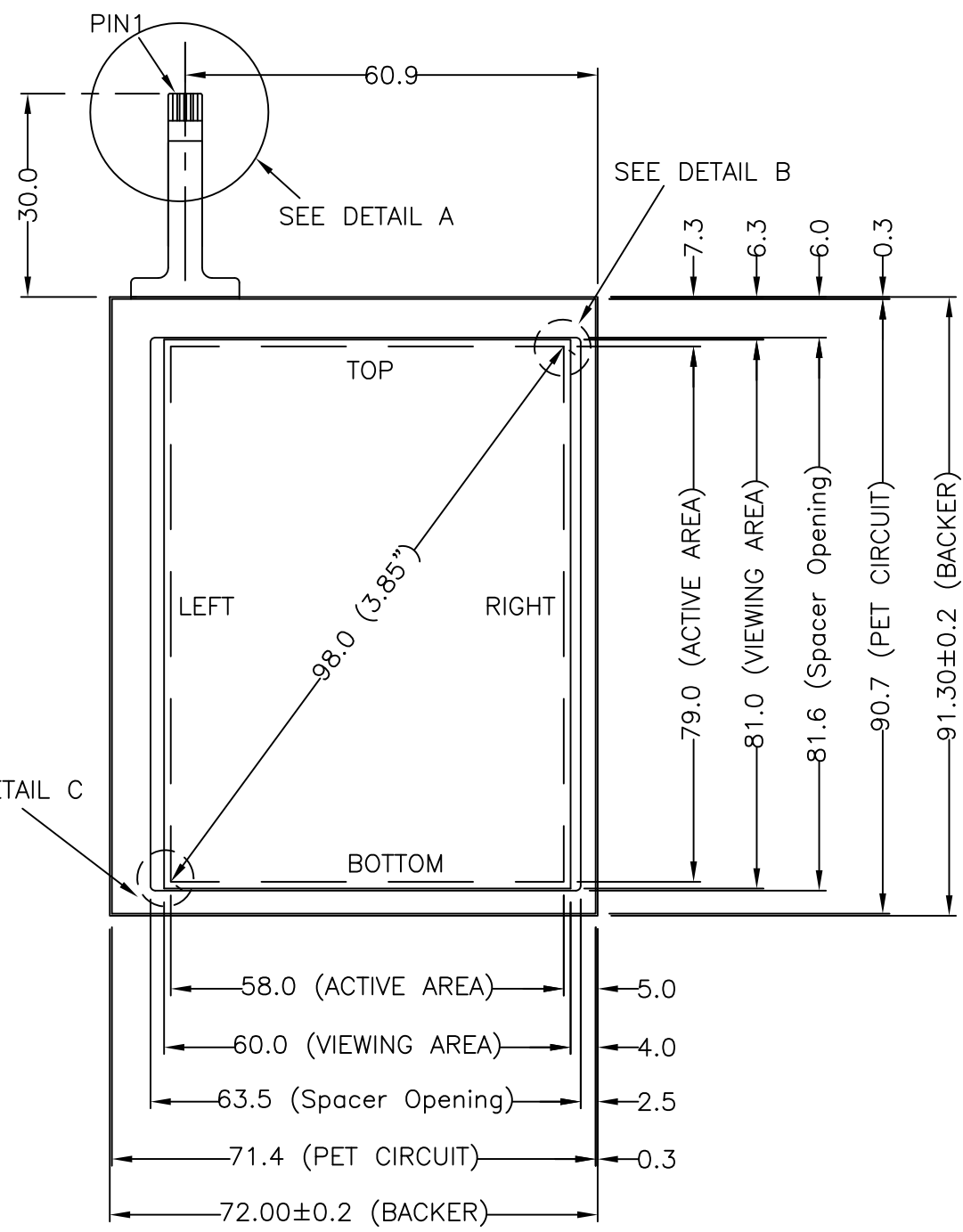
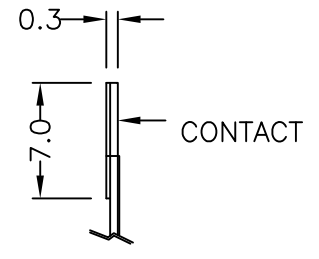
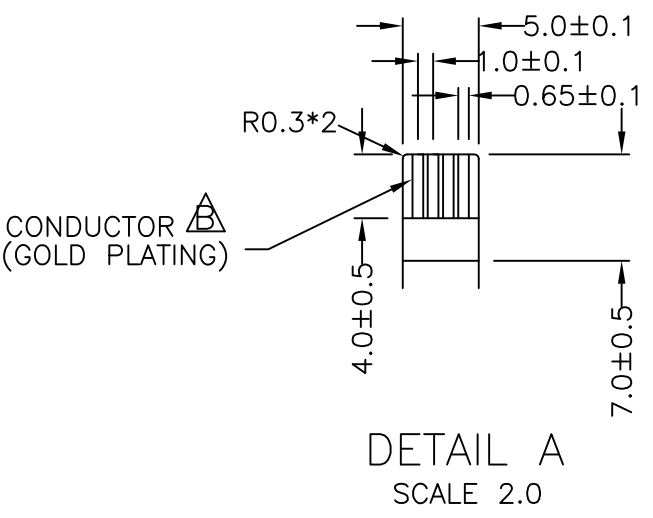


FRONT VIEW

Pin #	Assignment
1	Bottom
2	Left
3	Top
4	Right



DETAIL B

DETAIL C

- NOTES:
1. ITO GLASS THICKNESS : 1.10mm
 2. OVERALL THICKNESS : 1.40±0.10mm
 3. CONNECTOR AND PINOUT AS INDICATED
 4. FRONT SURFACE : CLEAR HARDCOAT
 5. LAYER TO LAYER ASSEMBLY TOLERANCE: ±0.30mm
 6. TAIL TYPE : IMMERSION GOLD PLATED FPC , ZIF
 7. OTHER SPEC : SEE APPROVAL SHEET
- *BEFORE DESIGN PLEASE REFER TO THE INTEGRATION GUIDE



NO.	DATE	DESCRIPTION	CHK
C	MAY 21, 2007	ITO PET MODIFY	ALEX
B	SEP 19, 2005	CONDUCTOR GOLD PLATING	ALEX
A	APR 16, 2001	TAIL & DIMENSIONS MODIFY	ALEX

REVISION			
CHIEF OF DESIGN		APPROVED	Grace
ENGINEER		PROJECT MANAGER	
DRAWN BY	Bruce	DATE	May 04, 2012
SHT	1 OF 1	REV.	C

Apex Material Technology Corp.

TOLERANCES UNLESS SPECIFIED		PROJECT NAME: 9505 DWG NO : 9505-3-013 SCALE: 1:1 UNIT: mm
.X	± 0.50	
.XX	± 0.25	
.XXX	± 0.10	
ANGULAR	.	