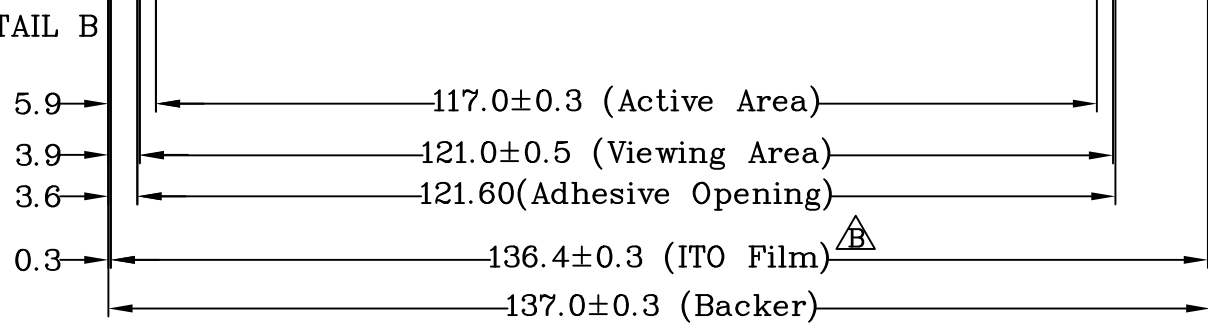
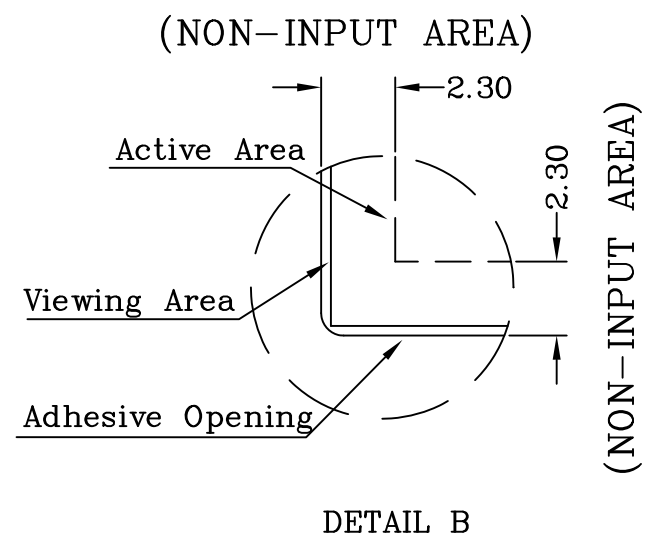
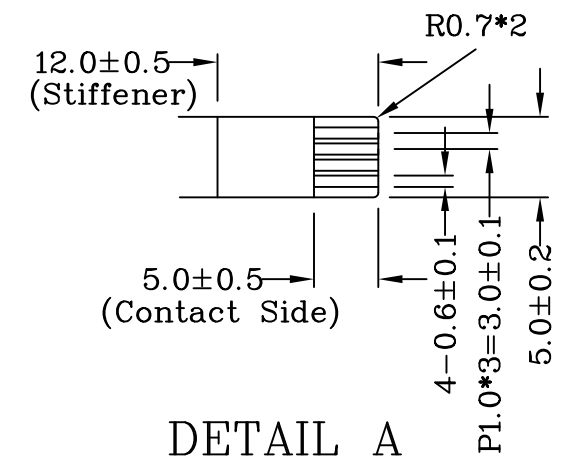
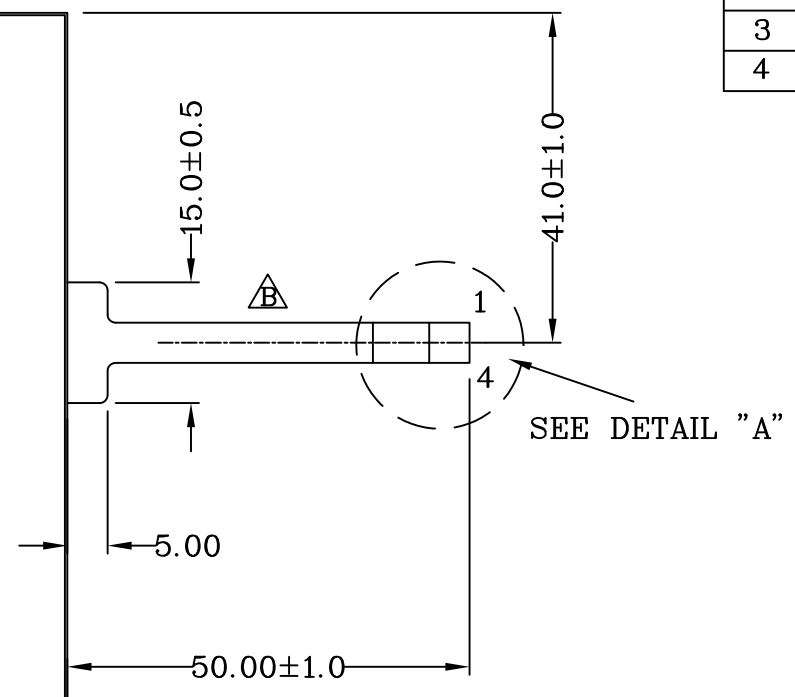


Pin #	Assignment
1	Up
2	Right
3	Down
4	Left



- NOTES:
1. ITO GLASS THICKNESS : 1.10mm
  2. OVERALL THICKNESS : 1.40mm ±0.10
  3. CONNECTOR AND PINOUT AS INDICATED
  4. FRONT SURFACE : ANTI-GLARE HARDCOAT
  5. OPTICAL SPECIFICATION: A001 UPDATED VERSION
  6. LAYER TO LAYER ASSEMBLY TOLERANCE: ±0.50mm
- \*BEFORE DESIGN PLEASE REFER TO THE INTEGRATION GUIDE



NO.	DATE	DESCRIPTION	CHK
B	SEP 14, 2007	ITO FILM & TAIL MODIFY	ALEX
A	JULY 25, 2006	ITO FILM MODIFY	ALEX

REVISION			
CHIEF OF DESIGN		APPROVED	Grace
ENGINEER		PROJECT MANAGER	
DRAWN BY	Bruce	DATE	May. 09, 2012
SHT	1 OF 1	REV.	B

TOLERANCES UNLESS SPECIFIED		MODEL NAME: 9528
		DWG NO : 9528-2-014
ANGULAR	.	SCALE: 1:1 UNIT: mm

Apex Material Technology Corp.