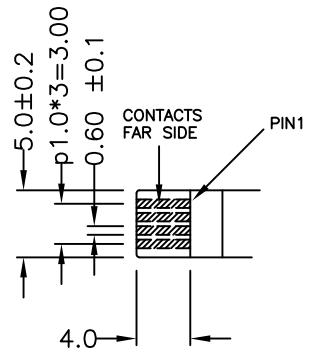
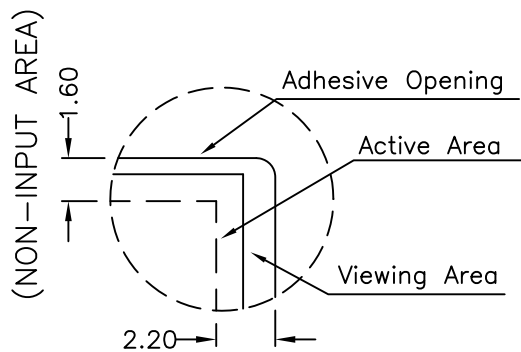


Pin #	Assignment
1	Top
2	Bottom
3	Left
4	Right

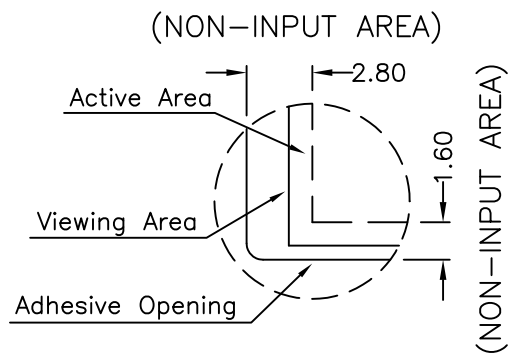
TOUCH SIDE VIEW



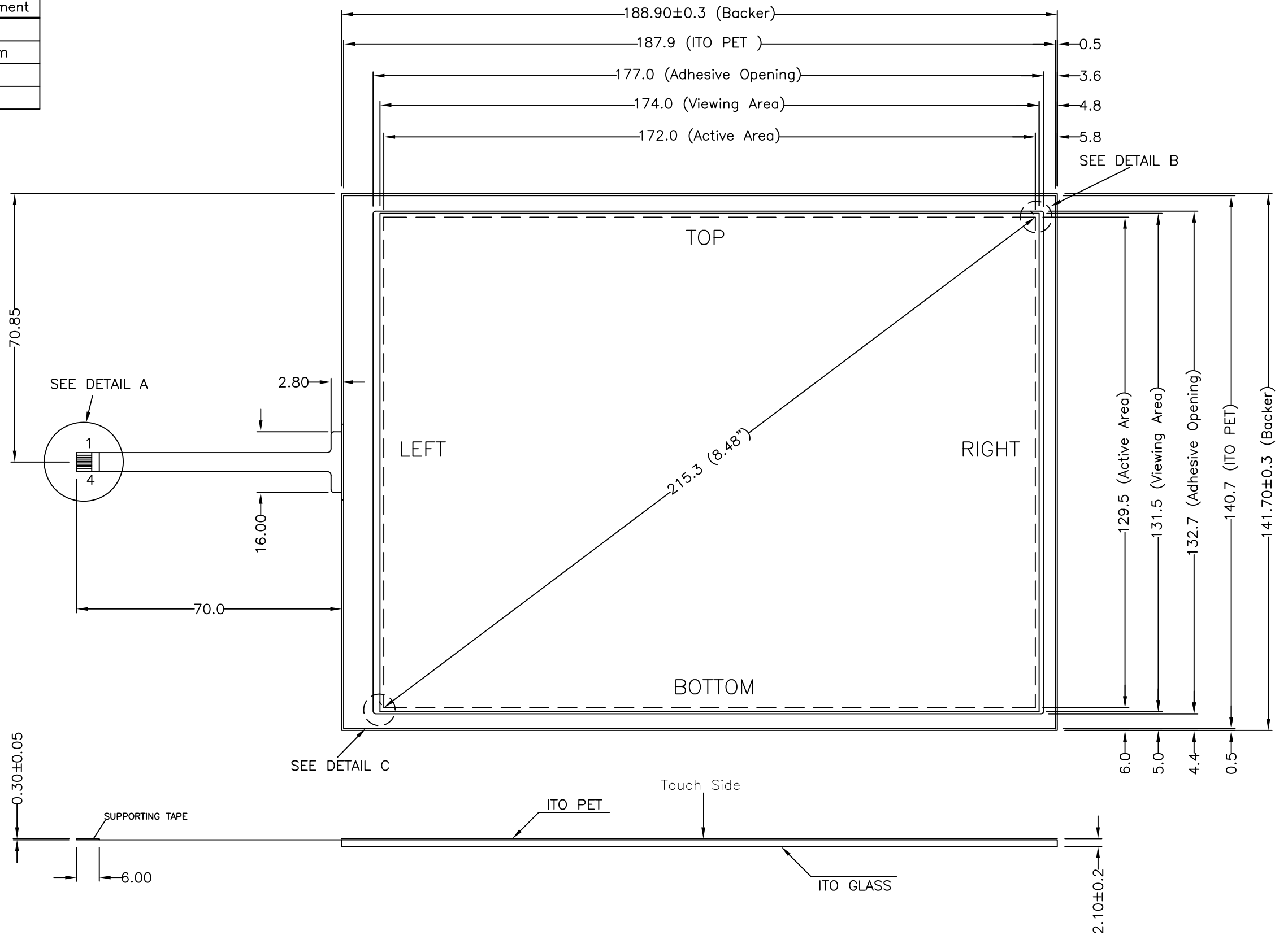
DETAIL A



DETAIL B



DETAIL C



NOTES:

1. ITO GLASS THICKNESS : 1.80mm
 2. OVERALL THICKNESS : 2.10±0.20mm
 3. CONNECTOR AND PINOUT AS INDICATED
 4. FRONT SURFACE : ANTI-GLARE HARDCOAT
 5. LAYER TO LAYER ASSEMBLY TOLERANCE: ±0.50mm
 6. TAIL TYPE : IMMERSION GOLD PLATED FPC , ZIF
 7. OTHER SPEC : SEE APPROVAL SHEET
- *BEFORE DESIGN PLEASE REFER TO THE INTEGRATION GUIDE



NO.	DATE	DESCRIPTION	CHK
REVISION			
CHIEF OF DESIGN		APPROVED	Grace
ENGINEER		PROJECT MANAGER	
DRAWN BY	Bruce	DATE	May 11, 2012
SHT 1 OF 1		REV.	

Apex Material Technology Corp.

TOLERANCES UNLESS SPECIFIED		PROJECT NAME : 9536 DWG NO : 9536-0-013 SCALE: 1:1 UNIT: mm
.X	± 0.50	
.XX	± 0.50	
.XXX	± 0.30	
ANGULAR	.	