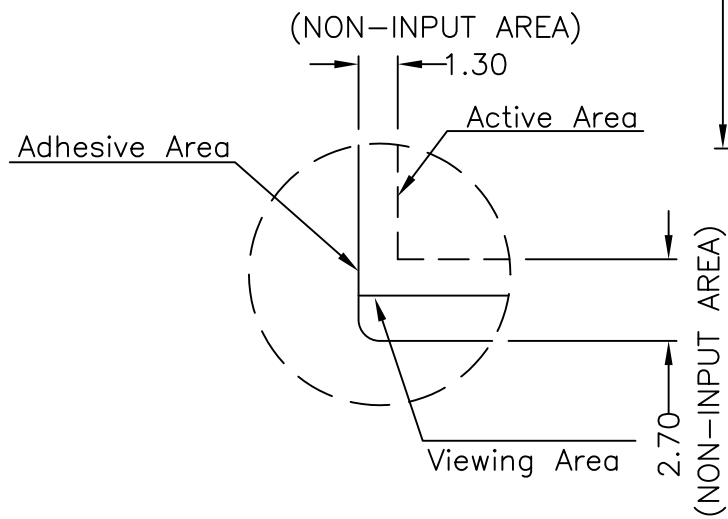
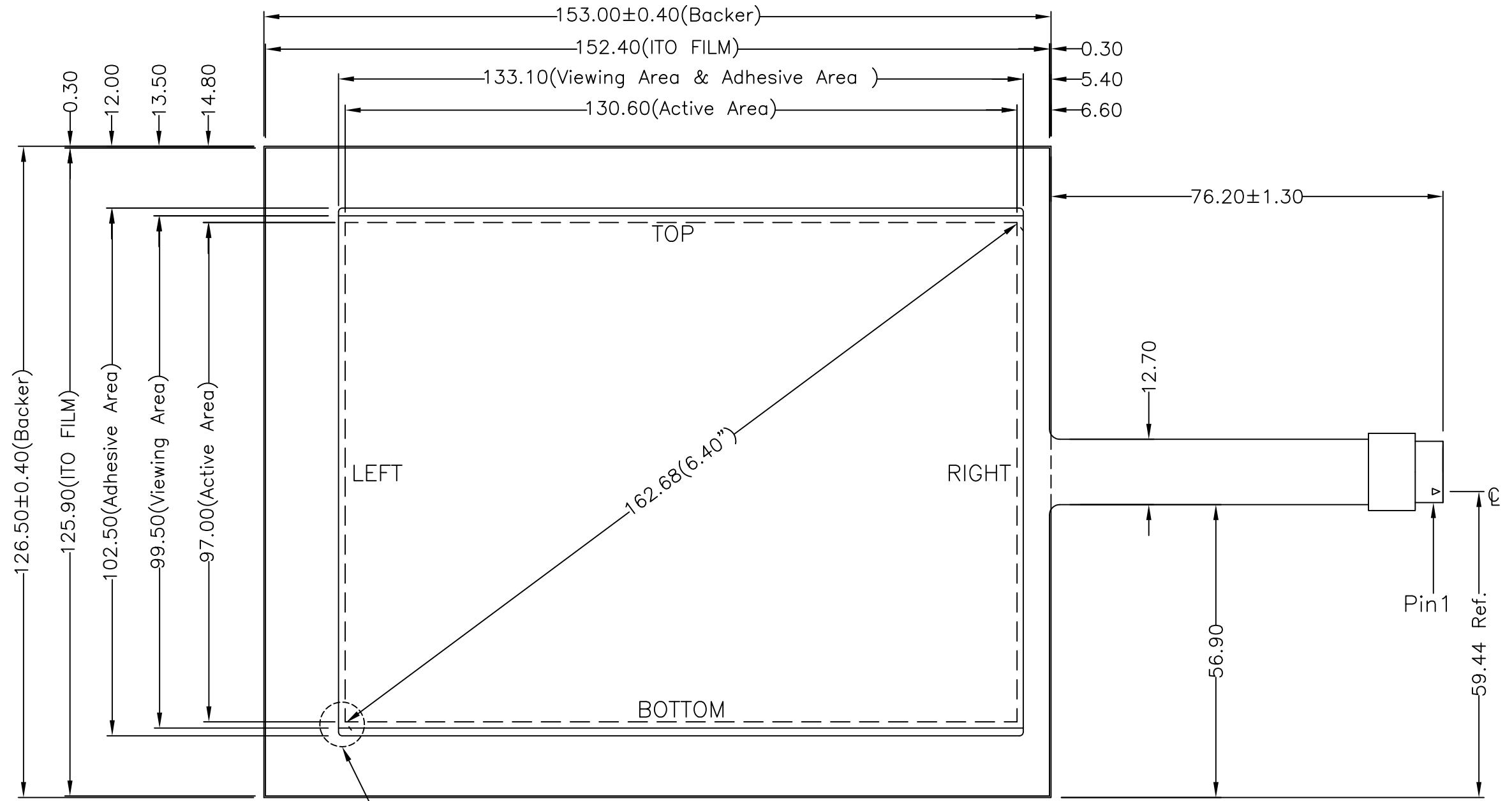
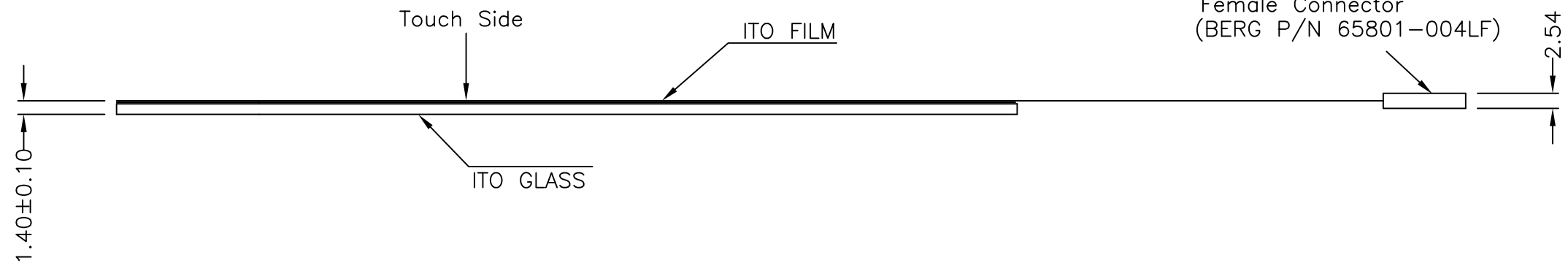


# TOUCH SIDE VIEW

| Pin # | Assignment |
|-------|------------|
| 1     | BOTTOM     |
| 2     | TOP        |
| 3     | LEFT       |
| 4     | RIGHT      |



SEE DETAIL "A"



NOTES:

1. ITO GLASS THICKNESS : 1.10mm (C.S)
  2. OVERALL THICKNESS : 1.40±0.10mm
  3. CONNECTOR AND PINOUT AS INDICATED
  4. FRONT SURFACE : ANTI-GLARE HARDCOAT
  5. LAYER TO LAYER ASSEMBLY TOLERANCE: ±0.30mm
  6. TAIL TYPE : INTEGRAL PET FILM WITH BERG CONNECTOR
  7. BERG CONNECTOR P/N: 65801-004LF
  8. OTHER SPEC : SEE APPROVAL SHEET
- \*BEFORE DESIGN PLEASE REFER TO THE INTEGRATION GUIDE



| NO.             | DATE  | DESCRIPTION     | CHK          |
|-----------------|-------|-----------------|--------------|
| REVISION        |       |                 |              |
| CHIEF OF DESIGN |       | APPROVED        | Grace        |
| ENGINEER        |       | PROJECT MANAGER |              |
| DRAWN BY        | Bruce | DATE            | May 16, 2012 |
|                 |       | REV.            |              |
| SHT 1 OF 1      |       |                 |              |

|                                |        |                     |  |
|--------------------------------|--------|---------------------|--|
| Apex Material Technology Corp. |        |                     |  |
| TOLERANCES UNLESS SPECIFIED    |        | MODEL NAME : 9550   |  |
| .X                             | ± 0.50 | DWG NO : 9550-0-013 |  |
| .XX                            | ± 0.50 |                     |  |
| .XXX                           | ± 0.30 |                     |  |
| ANGULAR                        | .      | SCALE: 1:1 UNIT: mm |  |