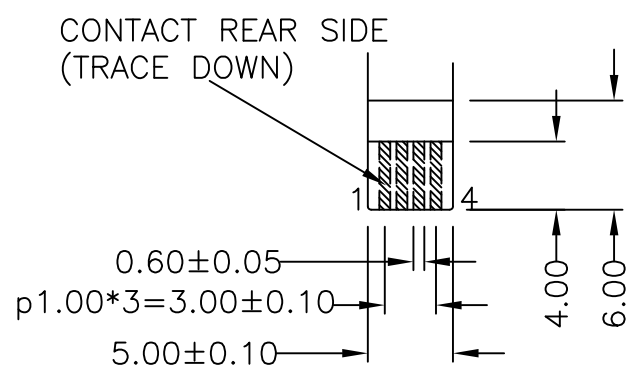
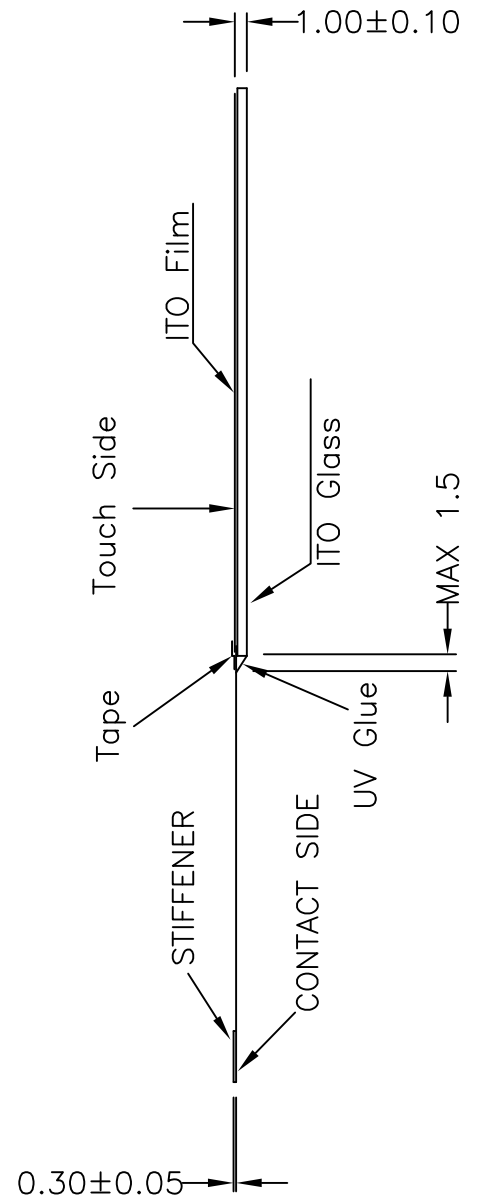
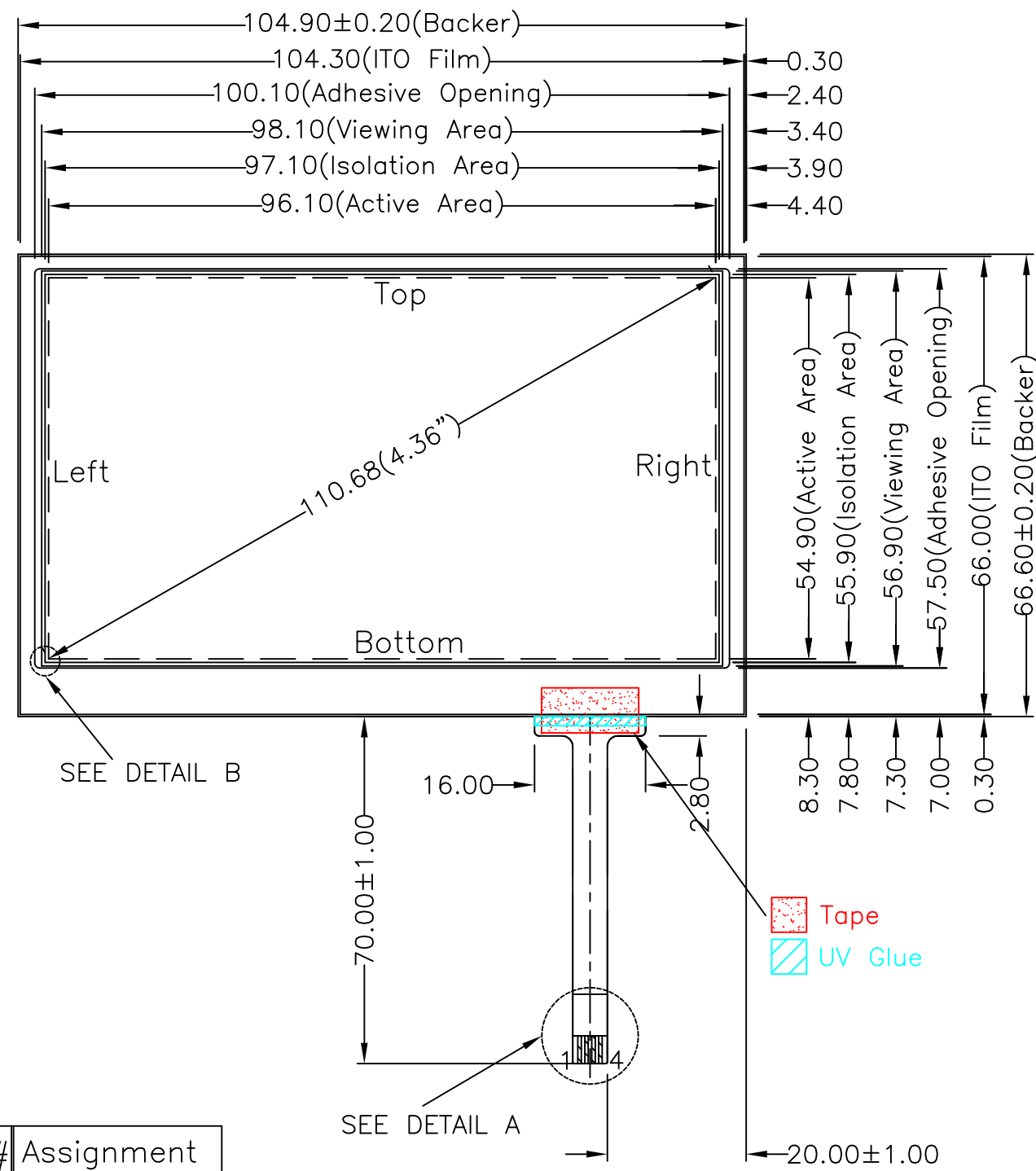
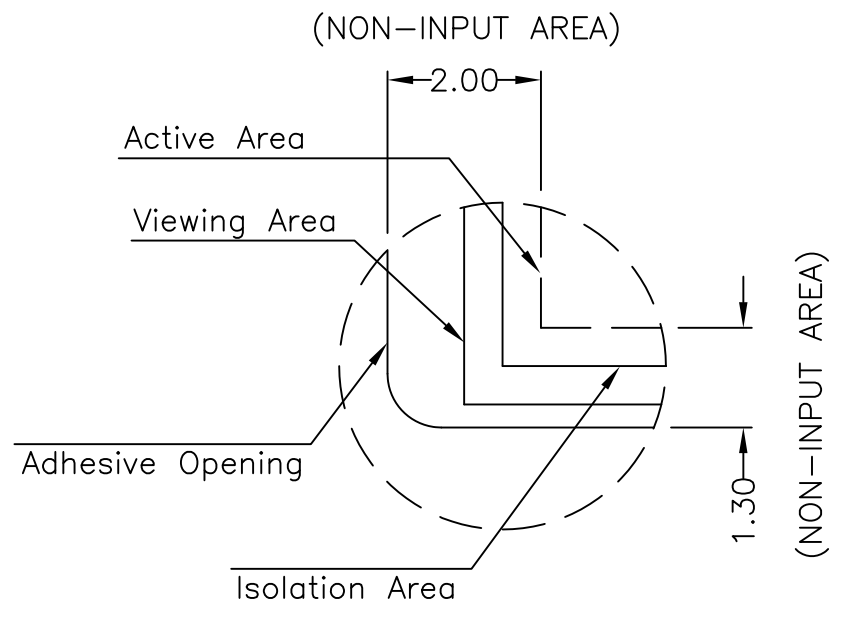


# TOUCH SIDE VIEW



DETAIL A



DETAIL B

Pin #	Assignment
1	Left
2	Bottom
3	Right
4	Top

NOTES:

1. ITO GLASS THICKNESS : 0.70mm
  2. OVERALL THICKNESS : 1.00±0.10mm
  3. CONNECTOR AND PINOUT AS INDICATED
  4. FRONT SURFACE : ANTI-GLARE HARDCOAT
  5. LAYER TO LAYER ASSEMBLY TOLERANCE : ±0.30mm
  6. TAIL TYPE : IMMERSION GOLD PLATED FPC , ZIF
  7. OTHER SPEC : SEE APPROVAL SHEET
- \*BEFORE DESIGN PLEASE REFER TO THE INTEGRATION GUIDE



NO.	DATE	DESCRIPTION	CHK
REVISION			
CHIEF OF DESIGN		APPROVED	Grace
ENGINEER		PROJECT MANAGER	
DRAWN BY	Bruce	DATE	MAY 16, 2012
SHT 1 OF 1		REV.	

Apex Material Technology Corp.

TOLERANCES UNLESS SPECIFIED		MODEL NAME : 9551 DWG NO : 9551-0-018 SCALE: 1:1 UNIT: mm
.X	± 0.50	
.XX	± 0.50	
.XXX	± 0.30	
ANGULAR	.	