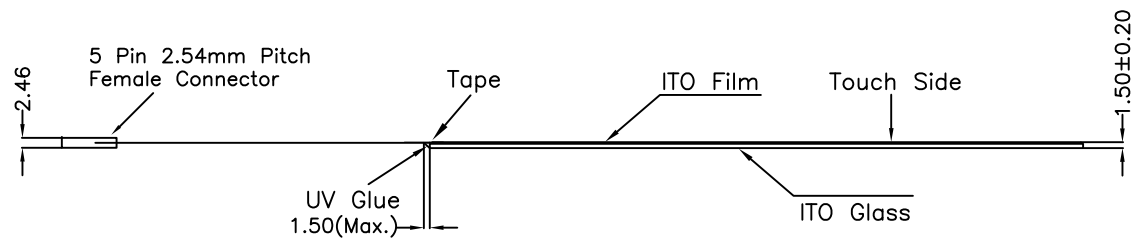
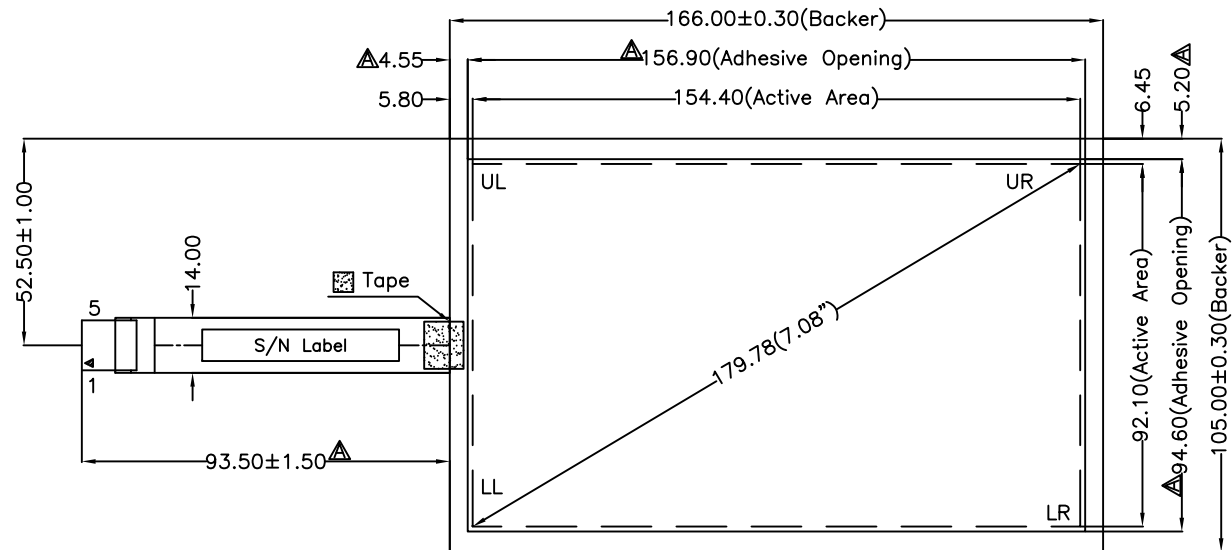


TOUCH SIDE VIEW

Pin#	Assignment
1	LL
2	UL
3	S
4	LR
5	UR



NOTES:

1. ITO GLASS THICKNESS : 1.10mm
 2. OVERALL THICKNESS : 1.50±0.20mm
 3. CONNECTOR AND PINOUT AS INDICATED
 4. FRONT SURFACE : ANTI-GLARE HARDCOAT
 5. TAIL TYPE : FPC WITH CONNNECTOR AMP-COMPATIBLE ELECTRO TIN PLATED CONTACT
 6. OTHER SPEC : SEE APPROVAL SHEET
- *BEFORE DESIGN PLEASE REFER TO THE INTEGRATION GUIDE



NO.	DATE	DESCRIPTION	CHK
A	Nov. 09, 2011	Modify Tail & Process	Grace
REVISION			
CHIEF OF DESIGN		APPROVED	Grace
ENGINEER		PROJECT MANAGER	
DRAWN BY	Jasper	DATE	Apr. 27, 2012
SHT	1 OF 1	REV.	A

Apex Material Technology Corp.

TOLERANCES UNLESS SPECIFIED		MODEL NAME : 2525-00 DWG NO : 2525-1-01 SCALE: 1:1 UNIT: mm
.X	±0.50	
.XX	±0.50	
.XXX	±0.50	
ANGULAR	.	