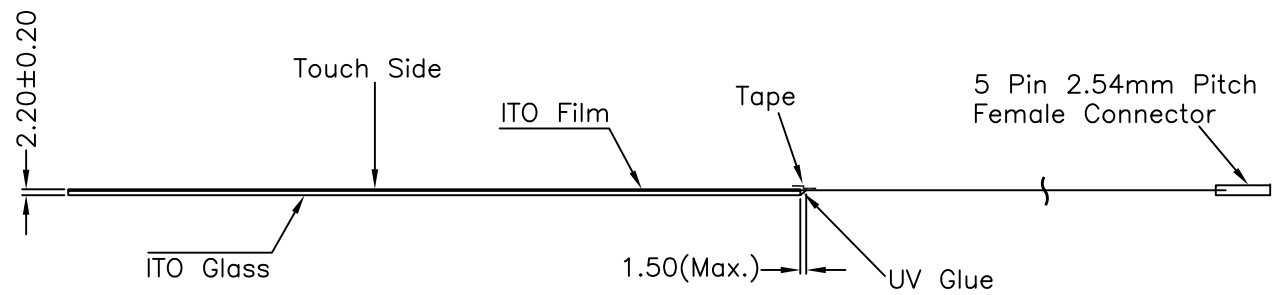
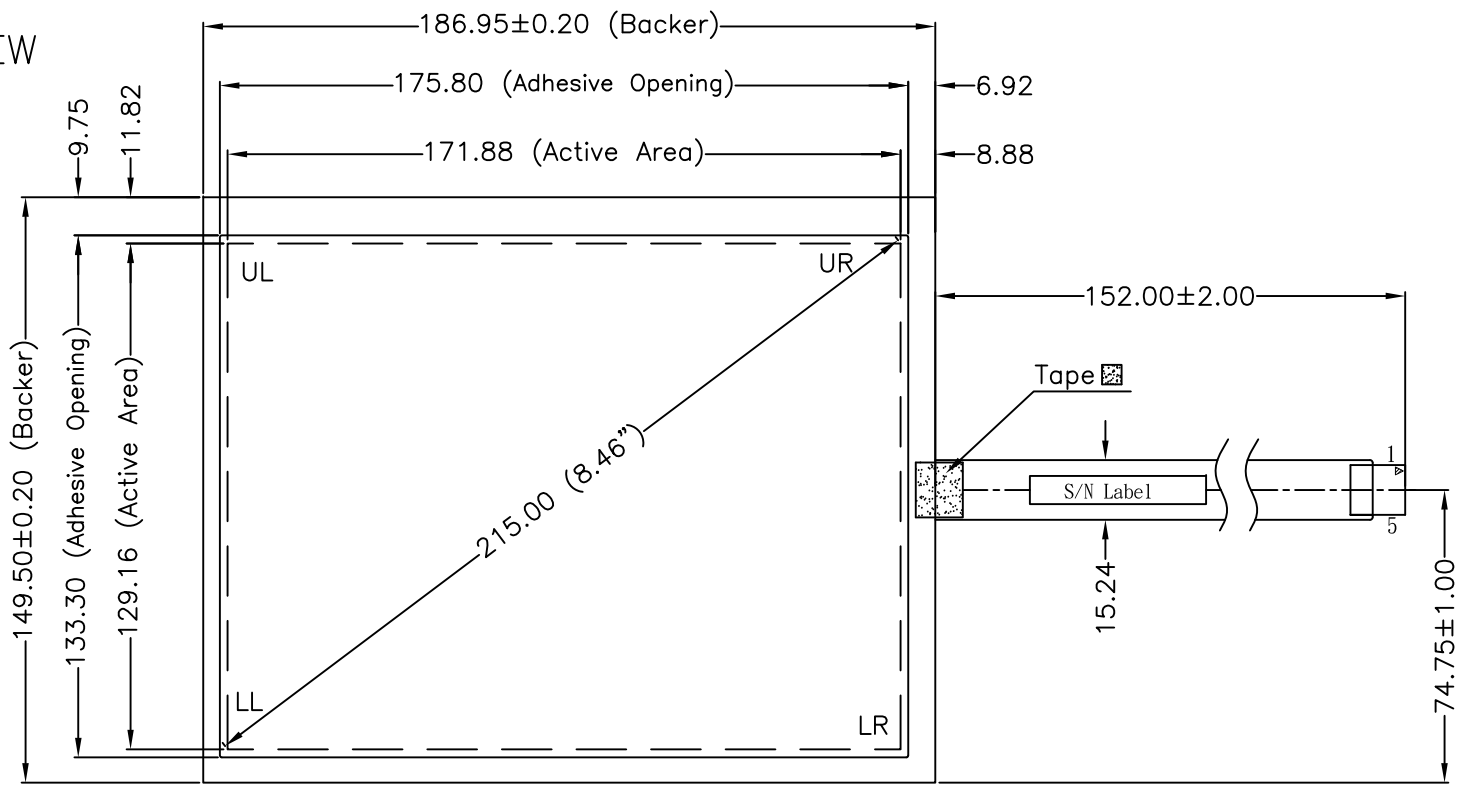


TOUCH SIDE VIEW

Pin#	Assignment
1	UL
2	LL
3	S
4	UR
5	LR



- NOTES:
1. ITO GLASS THICKNESS : 1.80mm
  2. OVERALL THICKNESS : 2.20±0.20mm
  3. CONNECTOR AND PINOUT AS INDICATED
  4. FRONT SURFACE : ANTI-GLARE HARDCOAT
  5. TAIL TYPE : IMMERSION GOLD PLATED FPC WITH AMP-C CONNECTOR
  6. OTHER SPEC : SEE APPROVAL SHEET
- \*BEFORE DESIGN PLEASE REFER TO THE INTEGRATION GUIDE



NO.	DATE	DESCRIPTION	CHK
REVISION			
CHIEF OF DESIGN		APPROVED	Grace
ENGINEER		PROJECT MANAGER	
DRAWN BY	Bruce	DATE	May. 31, 2012
SHT	1 OF 1	REV.	0

Apex Material Technology Corp.	
TOLERANCES UNLESS SPECIFIED	
.X	±0.50
.XX	±0.50
.XXX	±0.30
ANGULAR	.
MODEL NAME :	02530-00
DWG NO :	02530-0-011
SCALE:	1:1 UNIT: mm