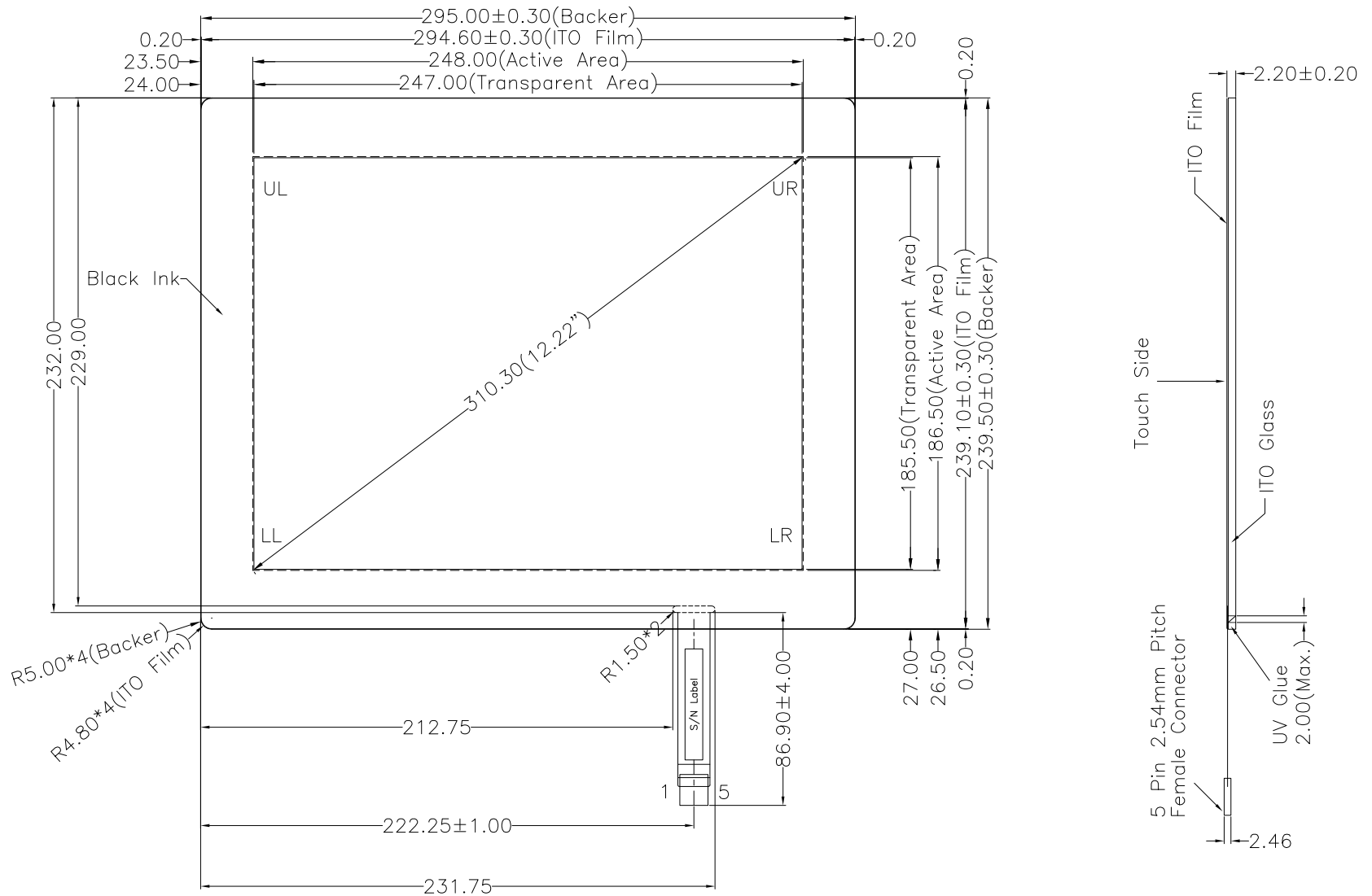


TOUCH SIDE VIEW

Pin#	Assignment
1	UL
2	UR
3	S
4	LL
5	LR



NOTES:

1. ITO GLASS THICKNESS : 1.80mm
 2. OVERALL THICKNESS : 2.20±0.20mm
 3. CONNECTOR AND PINOUT AS INDICATED
 4. FRONT SURFACE : CLEAR
 5. TAIL TYPE : FPC WITH CONNECTOR AMP-COMPATIBLE ELECTRO TIN PLATED CONTACT
 6. OTHER SPEC : SEE APPROVAL SHEET
- *BEFORE DESIGN PLEASE REFER TO THE INTEGRATION GUIDE



NO.	DATE	DESCRIPTION	CHK
REVISION			
CHIEF OF DESIGN		APPROVED	Grace
DRAWN BY	Arthur	DATE	Nov.11, 2013
SHT 1 OF 1			

Apex Material Technology Corp.

TOLERANCES UNLESS SPECIFIED		DWG NO :
.X	± 0.50	02540-F0-0-01
.XX	± 0.50	
.XXX	± 0.30	
ANGULAR	.	SCALE: 1:1 UNIT: mm