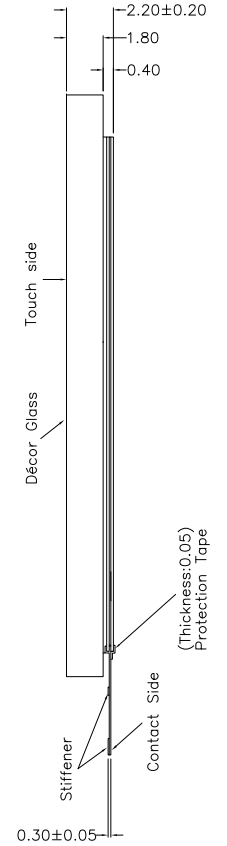
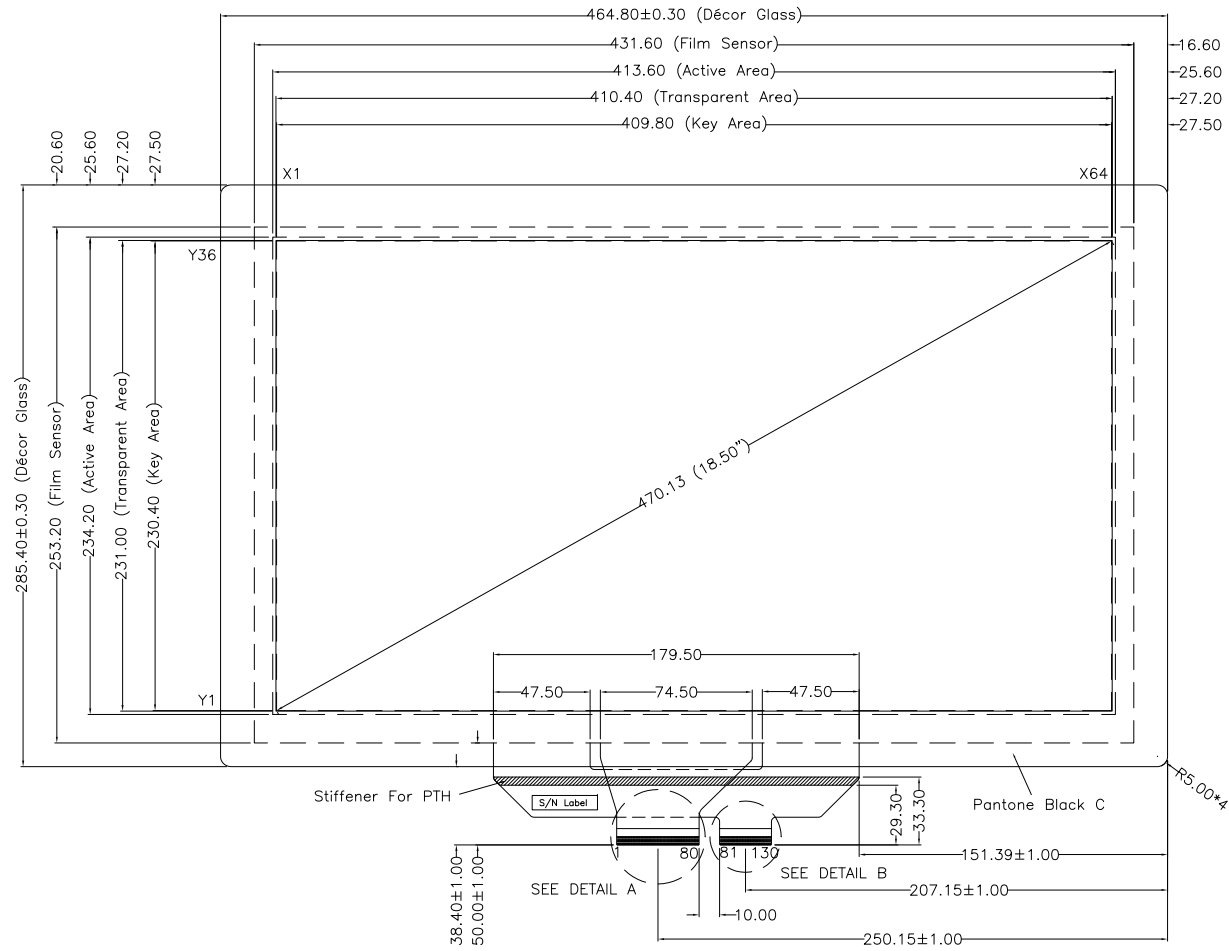
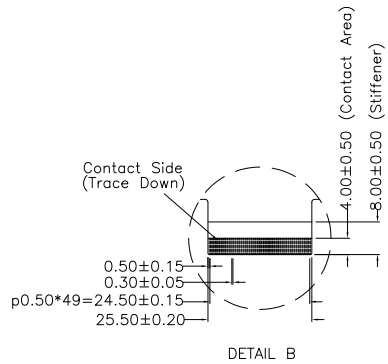
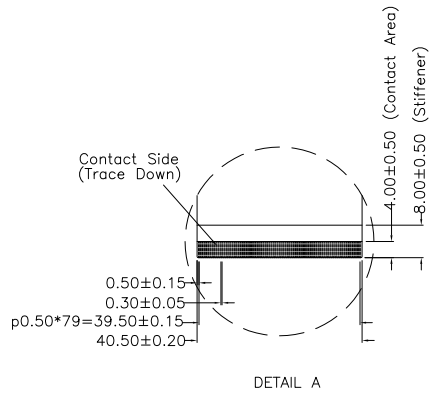


TOUCH SIDE VIEW

PIN#	Assignment
1-2	Grounding Line
3	Blank
4-67	X1-X64
68-79	Blank
80-81	Grounding Line
82-86	Blank
87-122	Y1-Y36
123-129	Blank
130	Grounding Line



- NOTES:
1. INPUT MODE : PROJECTED CAPACITIVE
 2. OVERALL THICKNESS : 2.20±0.20mm
 3. DÉCOR GLASS THICKNESS : 1.80mm
 4. FRONT SURFACE : CLEAR
 5. TAIL TYPE : GOLD PLATED FPC , ZIF
 6. RECOMMENDED CONTROL BOARDS : PENMOUNT PM1700 SERIES
 7. OTHER SPEC : SEE APPROVAL SHEET
 8. PLEASE REFER TO AMT TOUCH SCREEN INTEGRATION GUIDES FOR SYSTEM MECHANICAL DESIGN AND ASSEMBLY METHODS



NO.	DATE	DESCRIPTION	CHK
A	Feb. 5, 2015	MODIFY BOTTOM FILM CIRCUIT	Jerry
REVISION			
CHIEF OF DESIGN		APPROVED	Jerry
DRAWN BY	Tim	DATE	Jun. 22, 2015
SHEET 1 OF 1			

Apex Material Technology Corp.

TOLERANCES UNLESS SPECIFIED	DWG NO :
.X ± 0.50	P3019-AG-1-01
.XX ± 0.50	
.XXX ± 0.30	
ANGULAR	SCALE: N/S UNIT: mm