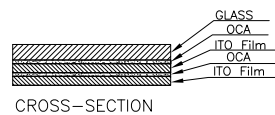
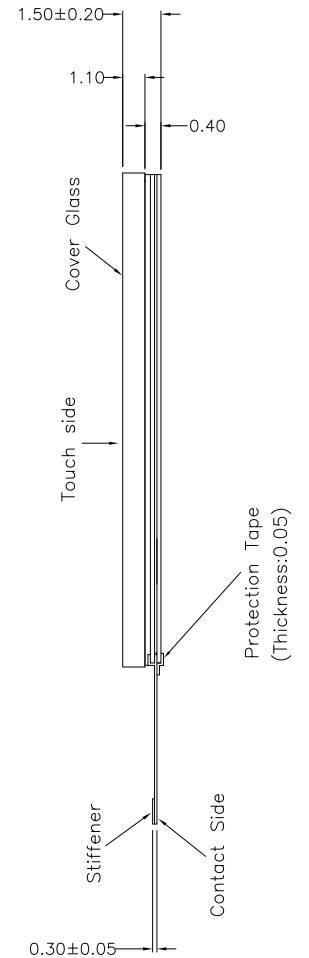
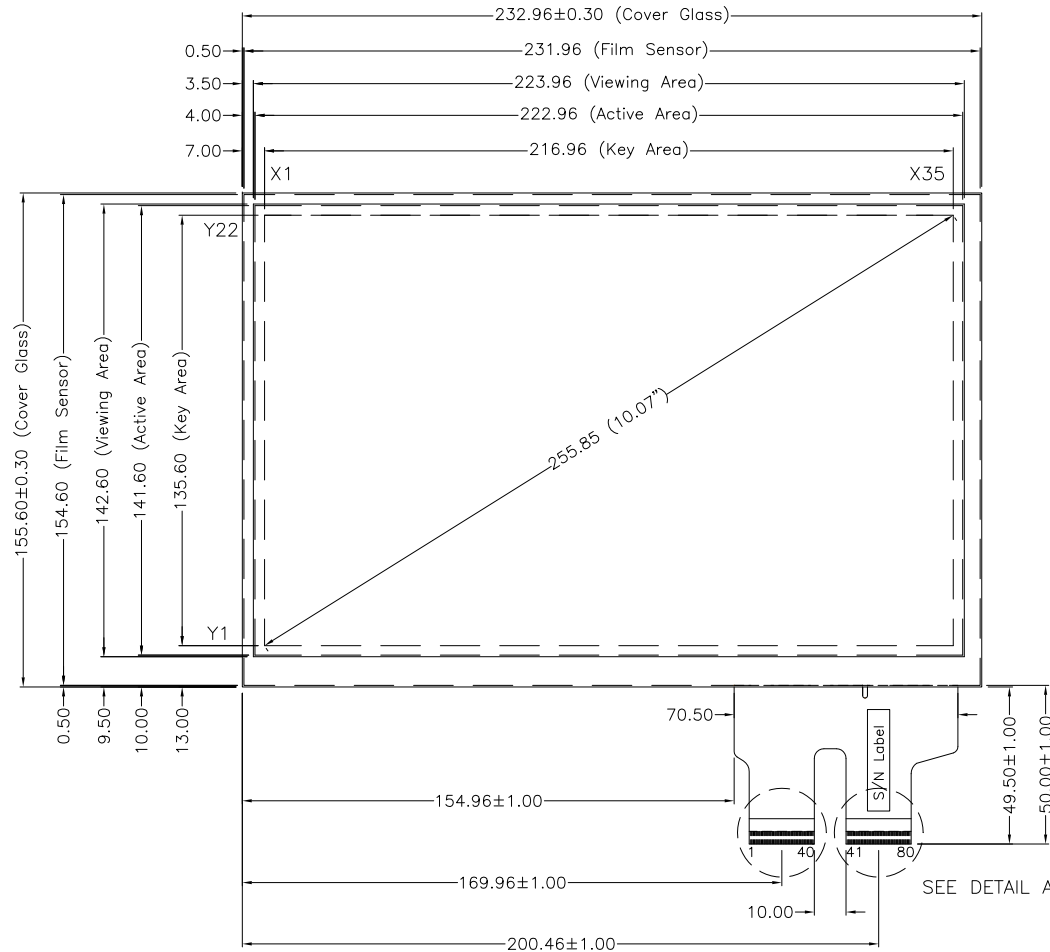
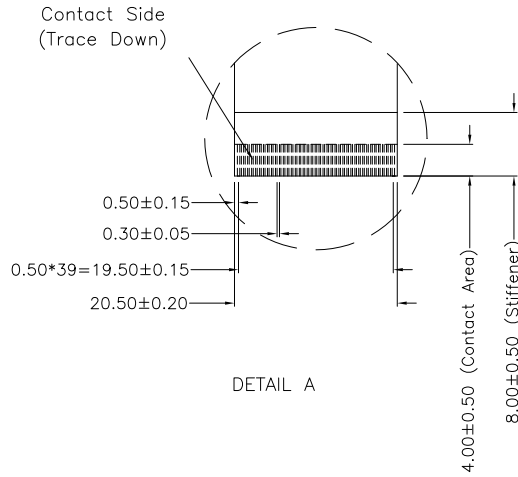


### TOUCH SIDE VIEW

PIN#	Assignment
1-2	GND
3	NC
4	GND
5-39	X1-X35
40	GND
41-51	NC
52	GND
53	NC
54-75	Y1-Y22
76-77	NC
78	GND
79	NC
80	GND



- NOTES:
1. INPUT MODE : PROJECTED CAPACITIVE
  2. OVERALL THICKNESS : 1.50±0.20mm
  3. COVER GLASS THICKNESS : 1.10mm
  4. FRONT SURFACE : CLEAR
  5. TAIL TYPE : GOLD PLATED FPC , ZIF
  6. RECOMMENDED CONTROL BOARDS : PENMOUNT PM1310 SERIES
  7. OTHER SPEC : SEE APPROVAL SHEET
  8. PLEASE REFER TO AMT TOUCH SCREEN INTEGRATION GUIDES FOR SYSTEM MECHANICAL DESIGN AND ASSEMBLY METHODS



NO.	DATE	DESCRIPTION	CHK
A	Aug. 20, 2014	MODIFY ITO Film	JERRY
REVISION			
CHIEF OF DESIGN		APPROVED	Grace
DRAWN BY	Bruce	DATE	2018.07.04
SHEET 1 OF 1			

Apex Material Technology Corp.	
TOLERANCES UNLESS SPECIFIED	DWG NO :
.X ± 0.50	P3021-A2-1-F01-01
.XX ± 0.50	
.XXX ± 0.30	
ANGULAR	SCALE: N/S UNIT: mm