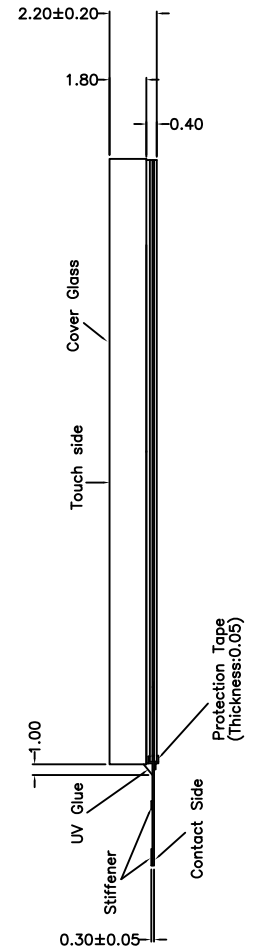
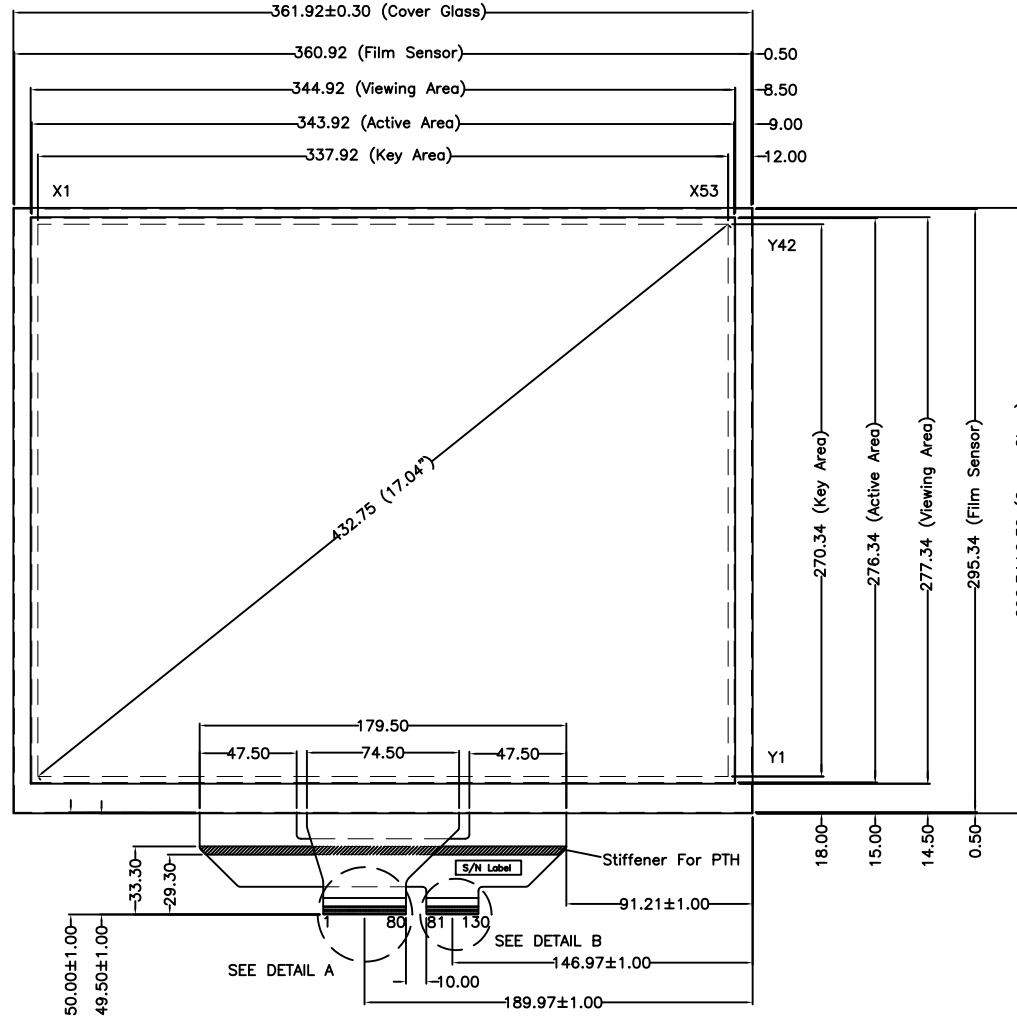
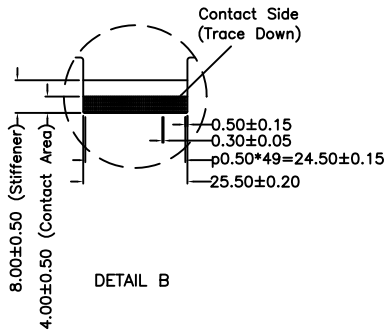
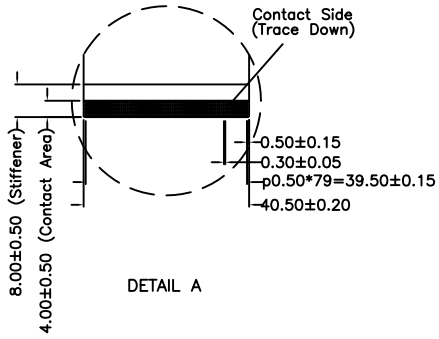
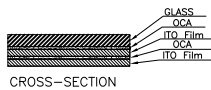


TOUCH SIDE VIEW

PIN#	Assignment
1-2	GND
3	NC
4-56	X1-X53
57-79	NC
80-81	GND
82	NC
83-124	Y1-Y42
125-129	NC
130	GND



- NOTES:
1. INPUT MODE : ANTI-UV PROJECTED CAPACITIVE
  2. OVERALL THICKNESS : 2.20±0.20mm
  3. COVER GLASS THICKNESS : 1.80mm
  4. FRONT SURFACE : CLEAR
  5. TAIL TYPE : GOLD PLATED FPC , ZIF
  6. RECOMMENDED CONTROL BOARDS : PENMOUNT PM171X SERIES
  7. OTHER SPEC : SEE APPROVAL SHEET
  8. PLEASE REFER TO AMT TOUCH SCREEN INTEGRATION GUIDES FOR SYSTEM MECHANICAL DESIGN AND ASSEMBLY METHODS



NO.	DATE	DESCRIPTION	CHK
F01	2016.12.28	MODIFY TAIL	Grace
REVISION			
CHIEF OF DESIGN		APPROVED	Grace
DRAWN BY	Bruce	DATE	2018.02.07
SHEET 1 OF 1			

Apex Material Technology Corp.

TOLERANCES UNLESS SPECIFIED	DWG NO :
.X ± 0.50	P3028-A2-0-U01-01
.XX ± 0.50	
.XXX ± 0.30	
ANGULAR	SCALE: N/S UNIT: mm