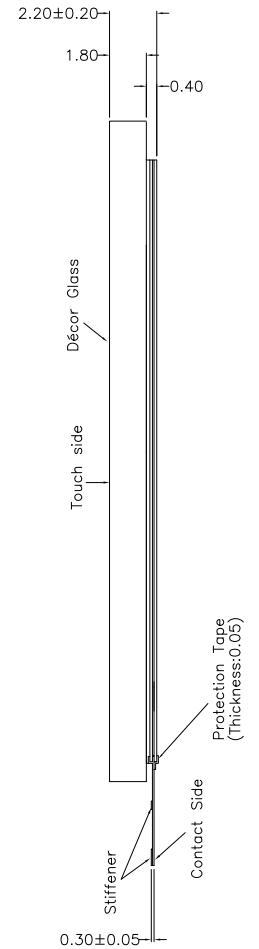
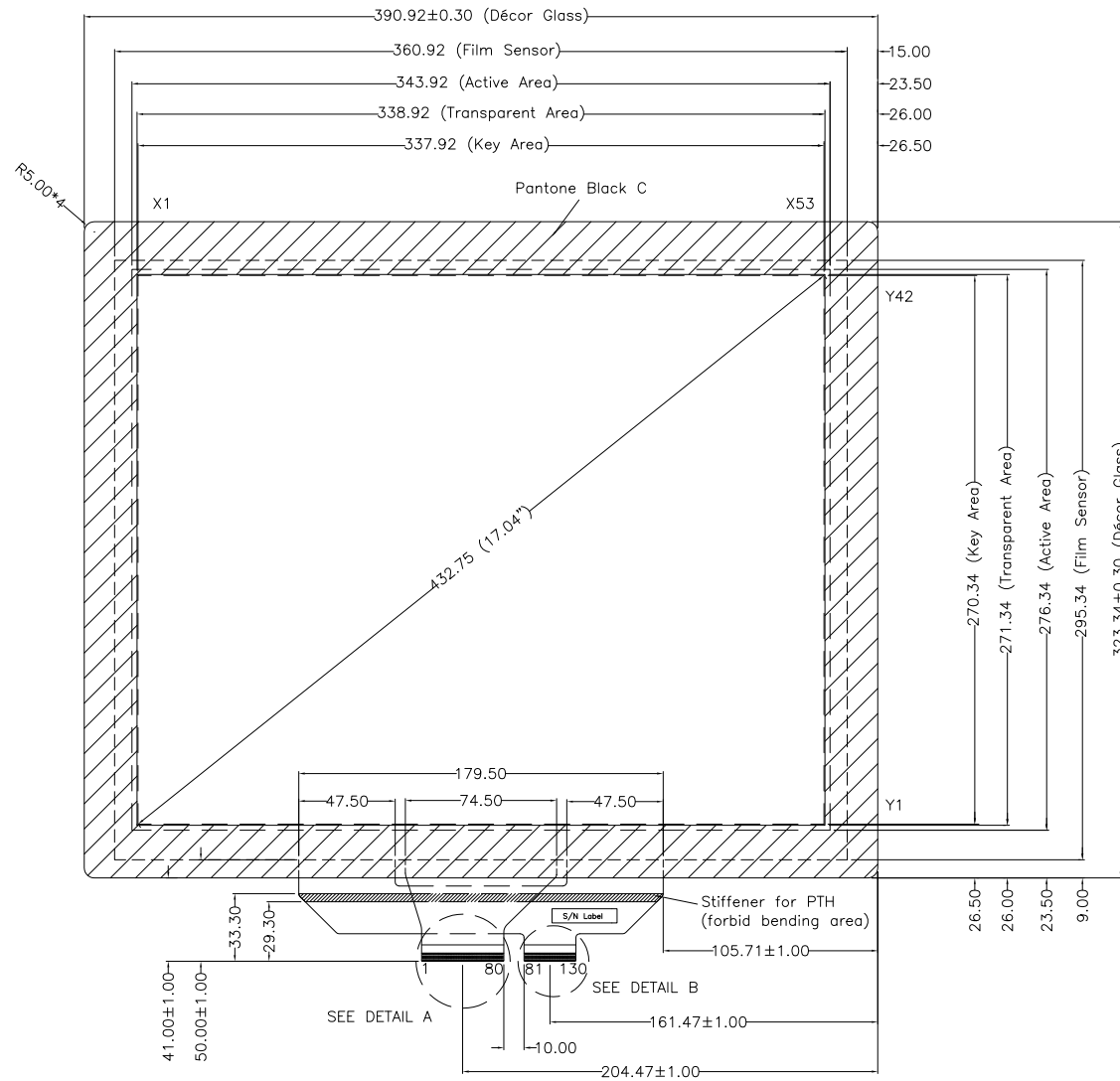
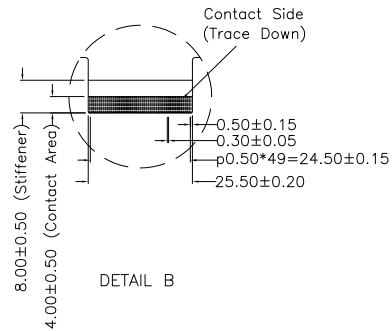
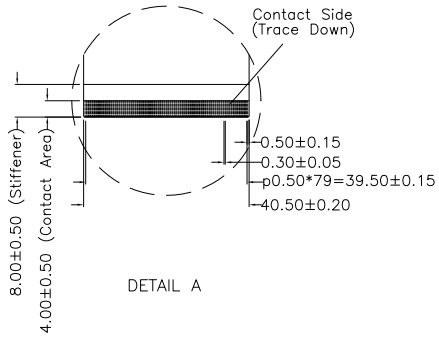


TOUCH SIDE VIEW

PIN#	Assignment
1-2	Grounding Line
3	Blank
4-56	X1-X53
57-79	Blank
80-81	Grounding Line
82	Blank
83-124	Y1-Y42
125-129	Blank
130	Grounding Line



- NOTES:
1. INPUT MODE : PROJECTED CAPACITIVE
  2. OVERALL THICKNESS : 2.20±0.20mm
  3. COVER GLASS THICKNESS : 1.80mm
  4. FRONT SURFACE : CLEAR
  5. TAIL TYPE : GOLD PLATED FPC, ZIF
  6. RECOMMENDED CONTROL BOARDS : PENMOUNT PM1710 SERIES
  7. OTHER SPEC : SEE APPROVAL SHEET
  8. PLEASE REFER TO AMT TOUCH SCREEN INTEGRATION GUIDES FOR SYSTEM MECHANICAL DESIGN AND ASSEMBLY METHODS

NO.	DATE	DESCRIPTION	CHK
F01	2017.09.25	MODIFY TAIL	Grace
REVISION			
CHIEF OF DESIGN		APPROVED	Grace
DRAWN BY	Arthur	DATE	2017.09.25
SHEET 1 OF 1			



Apex Material Technology Corp.

TOLERANCES UNLESS SPECIFIED		DWG NO :
.X	± 0.50	P3028-AG-0-F01-01
.XX	± 0.50	
.XXX	± 0.30	
ANGULAR	.	SCALE: N/S UNIT: mm