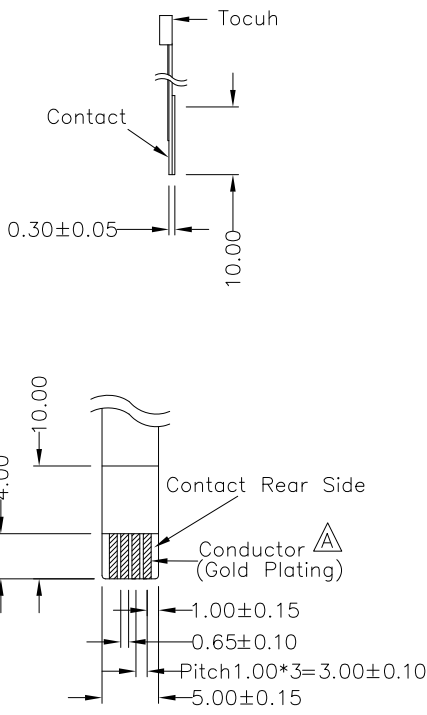
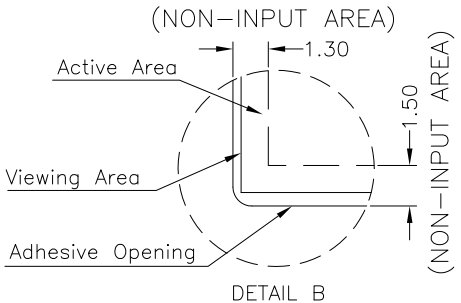
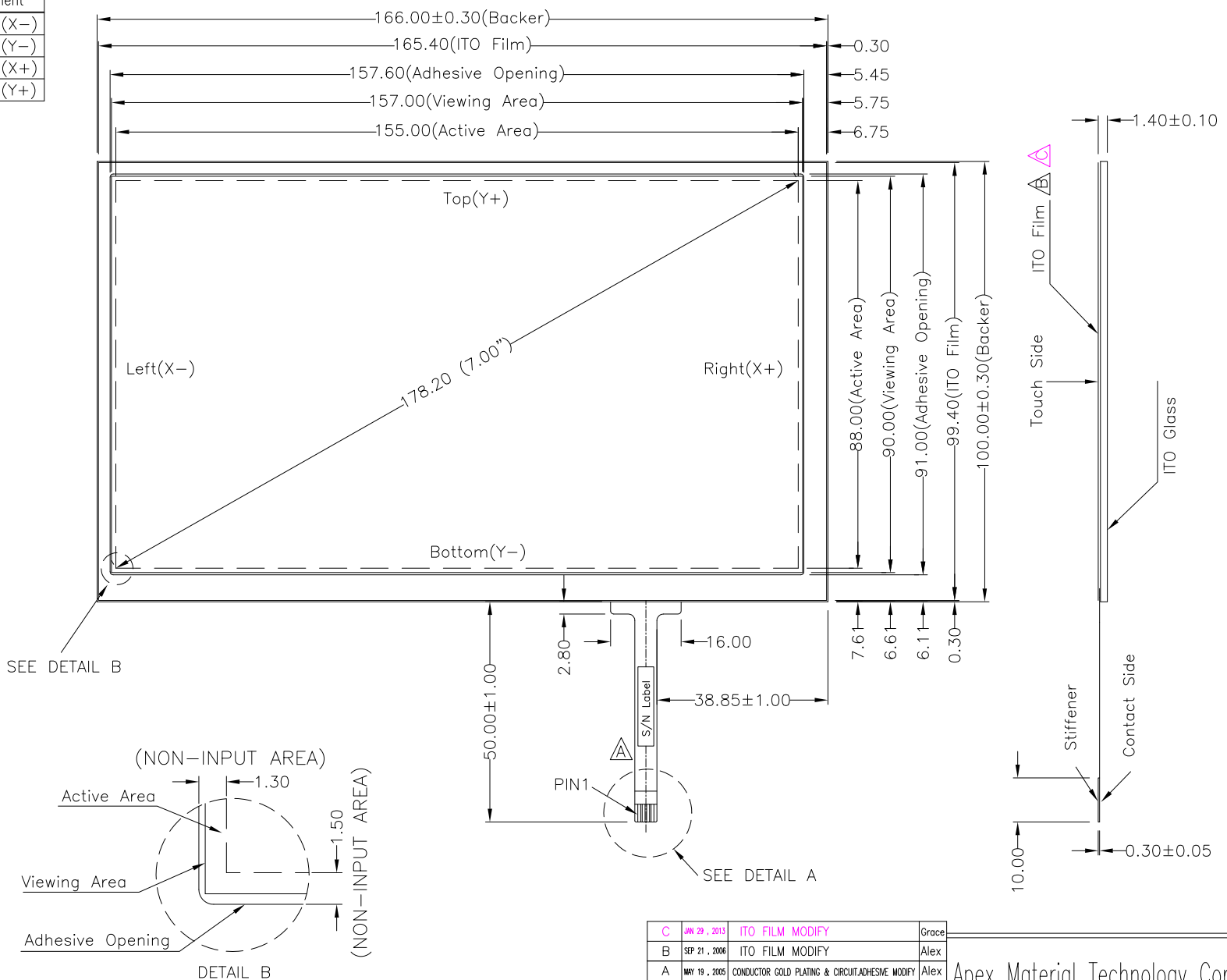


Pin #	Assignment
1	Left (X-)
2	Bottom (Y-)
3	Right (X+)
4	Top (Y+)



DETAIL A  
SCALE 2.0



- NOTES:
1. ITO GLASS THICKNESS : 1.10mm
  2. OVERALL THICKNESS : 1.40±0.10mm
  3. CONNECTOR AND PINOUT AS INDICATED
  4. FRONT SURFACE : ANTI-GLARE HARDCOAT
  5. LAYER TO LAYER ASSEMBLY TOLERANCE: ±0.30mm
  6. TAIL TYPE : IMMERSION GOLD PLATED FPC , ZIF
  7. OTHER SPEC : SEE APPROVED SHEET
- \*BEFORE DESIGN PLEASE REFER TO THE INTEGRATION GUIDE



NO.	DATE	DESCRIPTION	CHK
C	JAN 29, 2013	ITO FILM MODIFY	Grace
B	SEP 21, 2006	ITO FILM MODIFY	Alex
A	MAY 19, 2005	CONDUCTOR GOLD PLATING & CIRCUIT ADHESIVE MODIFY	Alex

REVISION			
CHIEF OF DESIGN		APPROVED	Grace
ENGINEER		PROJECT MANAGER	
DRAWN BY	Betty	DATE	Jan. 29, 2013
SHT	1 OF 1	REV.	C

Apex Material Technology Corp.

TOLERANCES UNLESS SPECIFIED		PROJECT NAME: 09519-00 DWG NO : 09519-3-01 SCALE: 1:1 UNIT: mm
.X	± 0.50	
.XX	± 0.50	
.XXX	± 0.30	
ANGULAR		