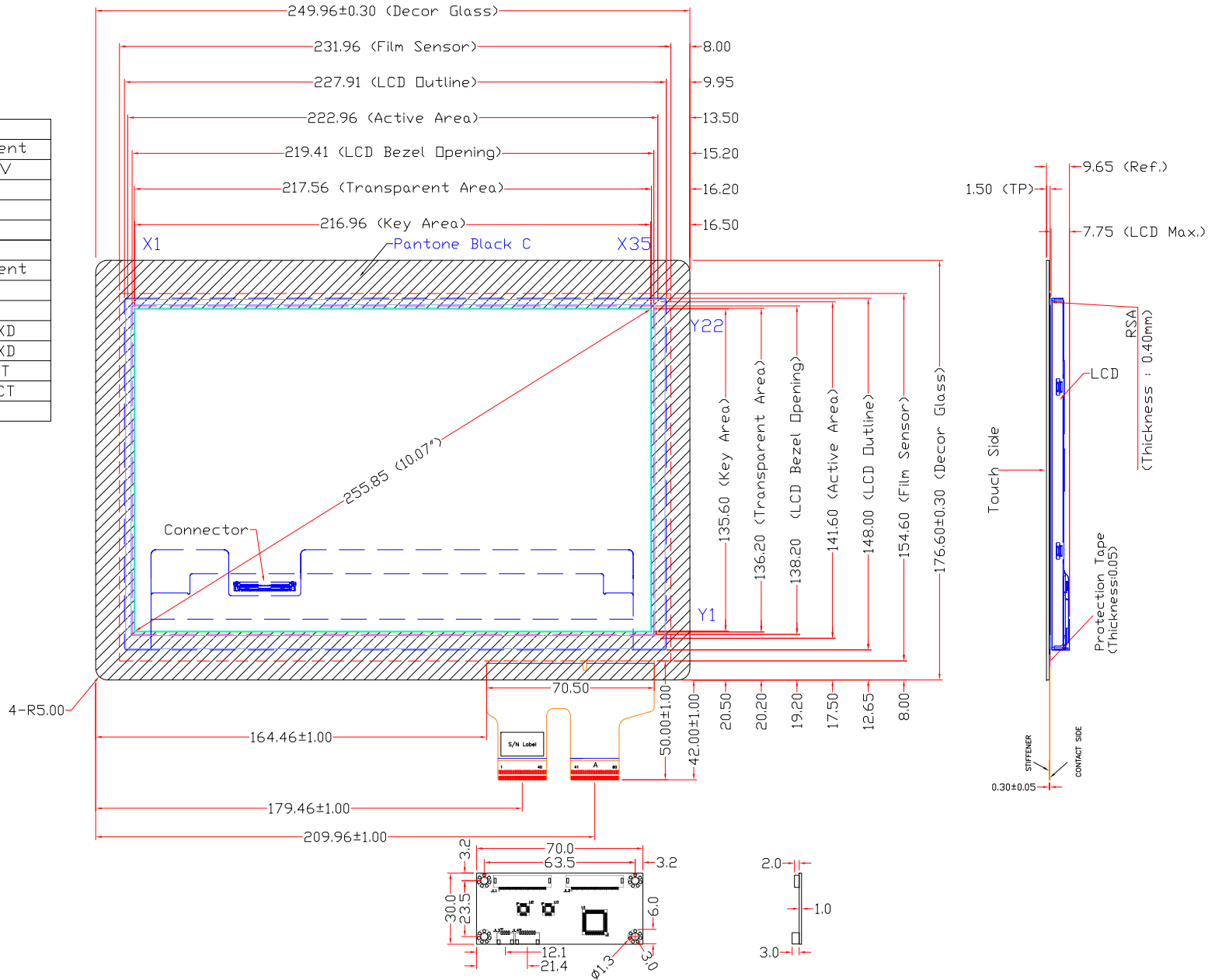
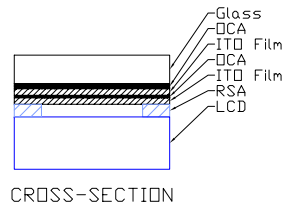
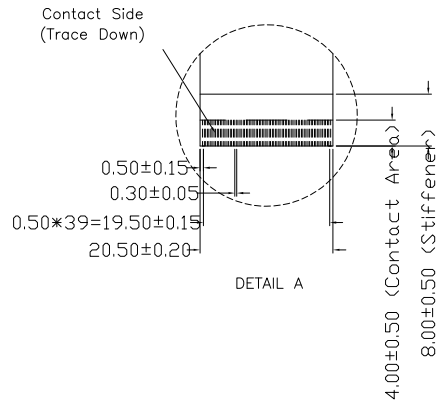


Touch Side View

JL1 & JL2		JL3(USB)	
PIN#	Assignment	PIN#	Assignment
1-2	GND	1	USB_5V
3	NC	2	D-
4	GND	3	D+
5-39	X1-X35	4	GND
40	GND	JL4(I2C/UART)	
41-51	NC	PIN#	Assignment
52	GND	1	VCC
53	NC	2	GND
54-75	Y1-Y22	3	SCL/RXD
76-77	NC	4	SDA/TXD
78	GND	5	nRESET
79	NC	6	nDETECT
80	GND	7	nINT

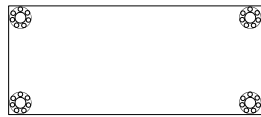
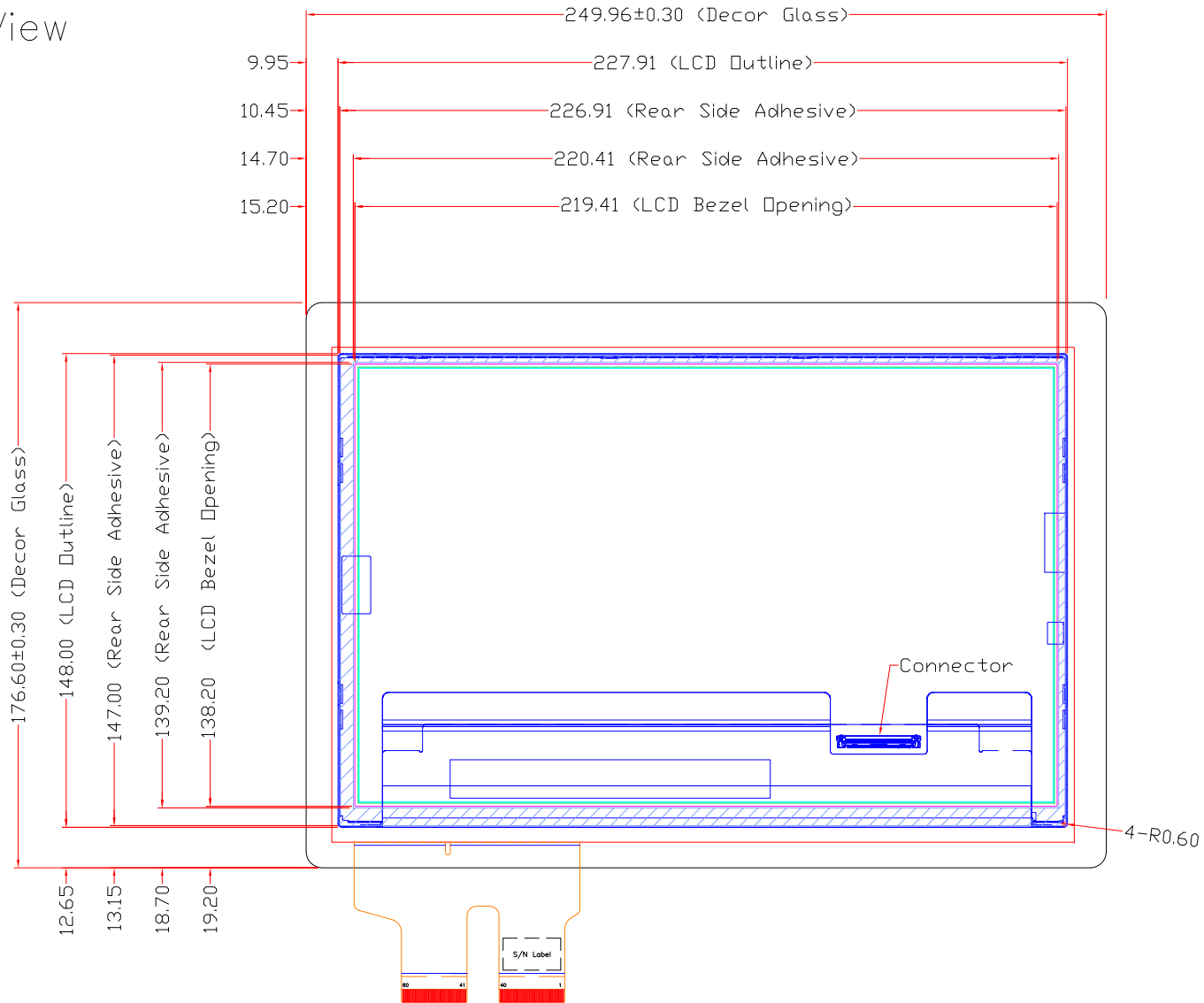


- NOTES:
- OVERALL THICKNESS : 9.65mm (FOR REFERENCE ONLY)
 - TOUCH PANEL : 92-P3021-AGA-F01
 - LCD : AUO G101EAN02.2
 - PROCESS : AIR BONDING
 - REAR SIDE ADHESIVE : 3M VHB#4920(Thickness : 0.40mm)
 - OTHER SPEC : SEE APPROVAL SHEET

AMT Apex Material Technology Corp.				RoHS COMPLIANT
NO.	DESCRIPTION	CHK	TOLERANCES UNLESS SPECIFIED	
REVISION			.X	± 0.50
CHIEF OF DESIGN	APPROVED	Only	.XX	± 0.50
DRAWN BY	Leo	DATE	2022.10.24	.XXX
SHEET 1 OF 2			SCALE	1:1

DWG NO: AD-96-T1010-000-B01-01

Rear Side View



AMT Apex Material Technology Corp.		RoHS COMPLIANT	
NO.	DESCRIPTION	CHK	TOLERANCES UNLESS SPECIFIED
REVISION		.X	± 0.50
CHIEF OF DESIGN	APPROVED	Only	± 0.50
DRAWN BY	DATE	2022.10.24	± 0.30
SHEET 2 OF 2		⊕	SCALE 1:1
DWG NO:			AD-96-T1010-000-B01-01