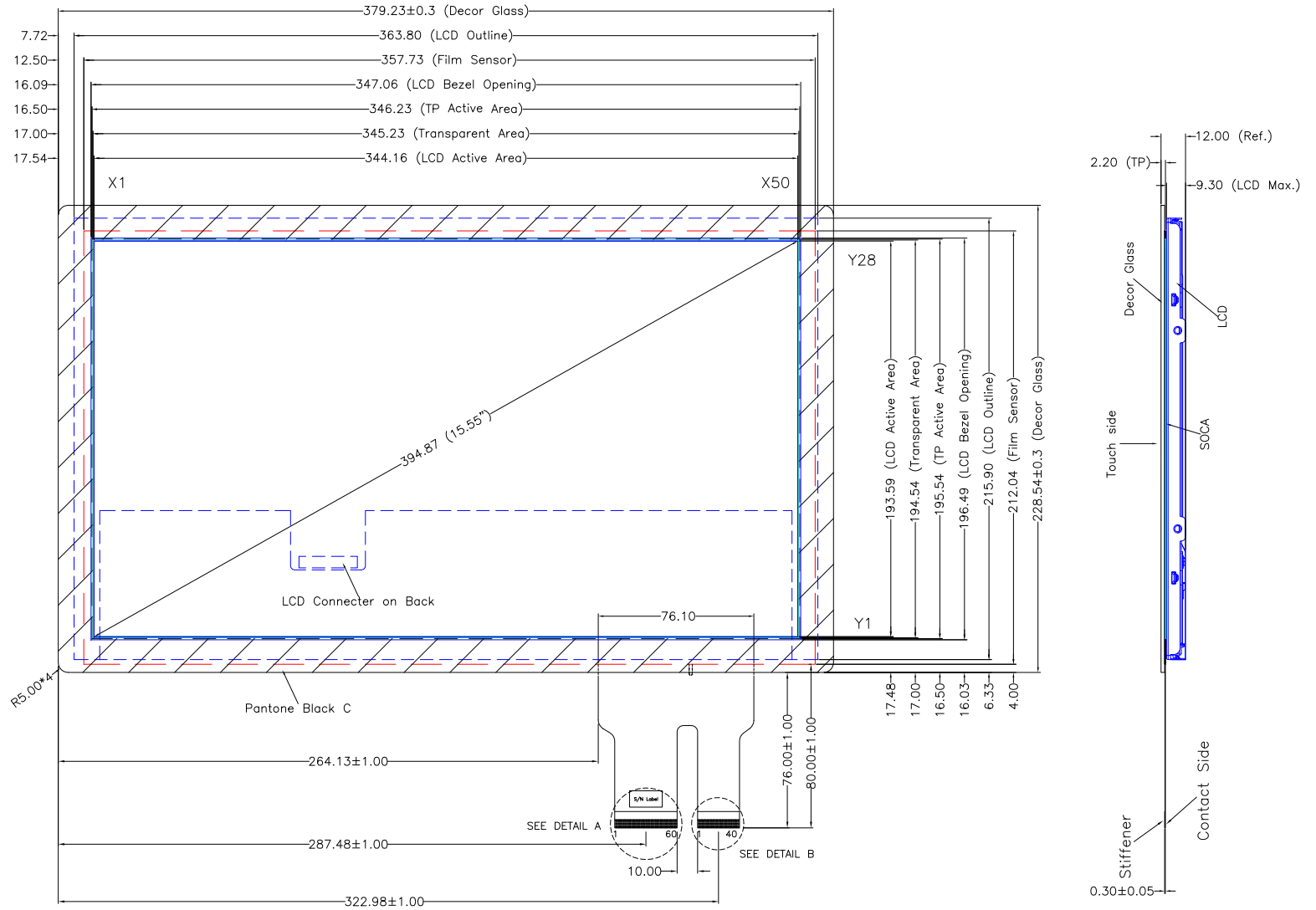
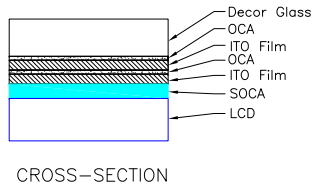
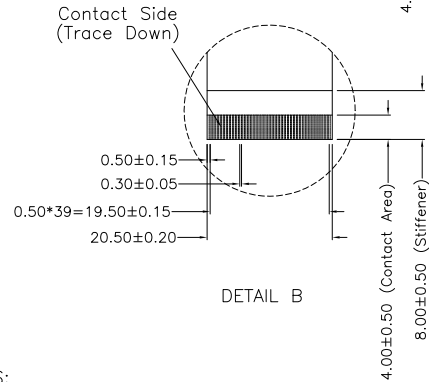
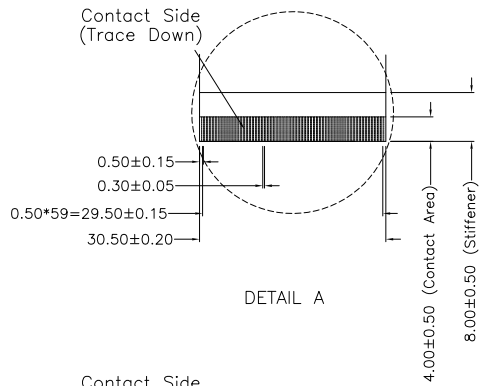


Touch Side View

JL5		JL1 (USB)	
PIN#	DESIGNATION	PIN#	DESIGNATION
1	System_GND	1	USB_5V
2	Guard Ring	2	D-
3-52	X1-X50	3	D+
53-58	NC	4	GND
59	Guard Ring		
60	System_GND		

JL4	
PIN#	DESIGNATION
1	System_GND
2	Guard Ring
3-10	NC
11-38	Y1-Y28
39	Guard Ring
40	System_GND



- NOTES:
- OVERALL THICKNESS : 12.00mm(REFERENCE ONLY)
 - LCD : INNOLUX G156HCE-L01
 - TOUCH PANEL : 92-K3101-AGO-F01
 - PROCESS : DRY BONDING
 - OTHER SPEC : SEE APPROVAL SHEET

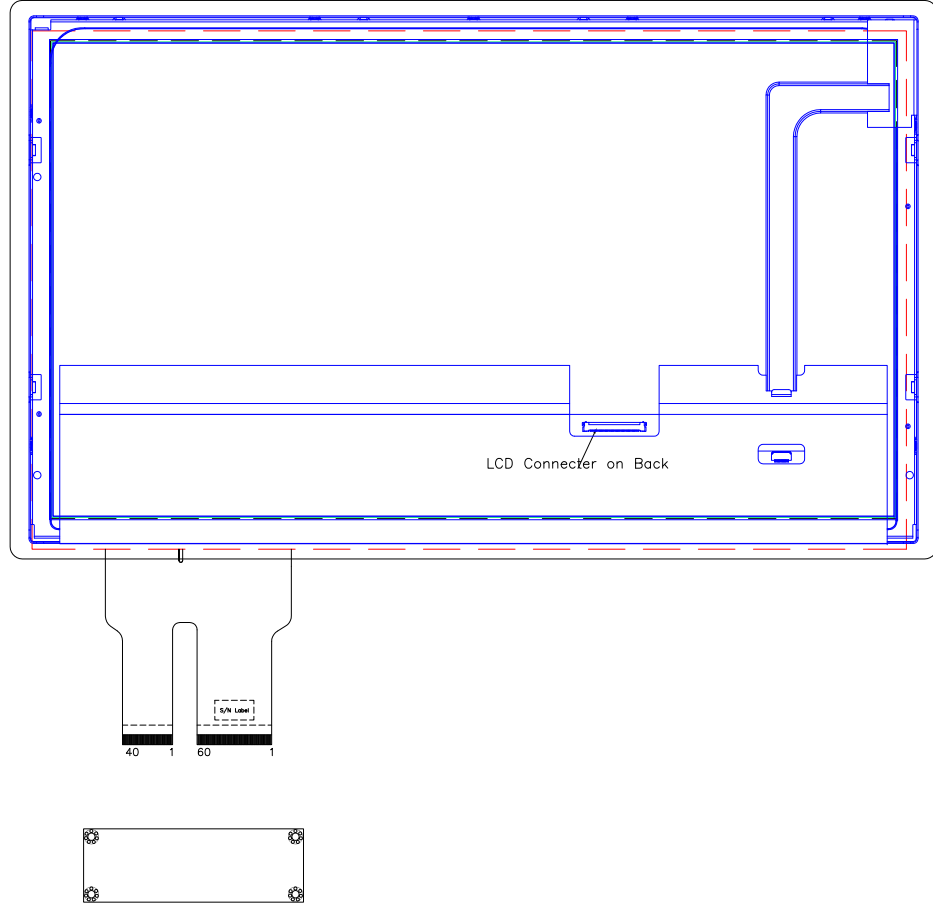


NO.	DATE	DESCRIPTION	CHK
REVISION			
CHIEF OF DESIGN		APPROVED	Orly
DRAWN BY	Leo	DATE	2022.10.21
SHEET 1 OF 2			

Apex Material Technology Corp.		DWG NO :	
TOLERANCES UNLESS SPECIFIED		AD-96-T1560-000-A01-01	
.X	± 0.50		
.XX	± 0.50		
.XXX	± 0.30		
ANGULAR	.	SCALE: N/S UNIT: mm	

Part Number:
96-T1560-000-A01

Rear Side View



Apex Material Technology Corp.

TOLERANCES UNLESS SPECIFIED		DWG NO : AD-96-T1560-000-A01-01
.X	± 0.50	
.XX	± 0.50	SCALE: N/S UNIT: mm
.XXX	± 0.30	
ANGULAR	.	

NO.	DATE	DESCRIPTION	CHK
REVISION			
CHIEF OF DESIGN		APPROVED	Orly
DRAWN BY	Leo	DATE	2022.10.21
SHEET 2 OF 2			

