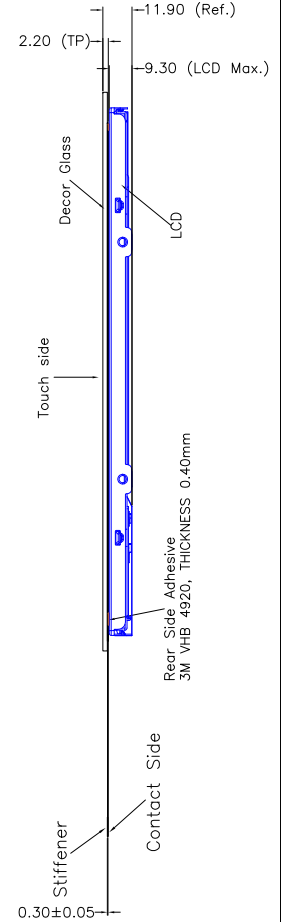
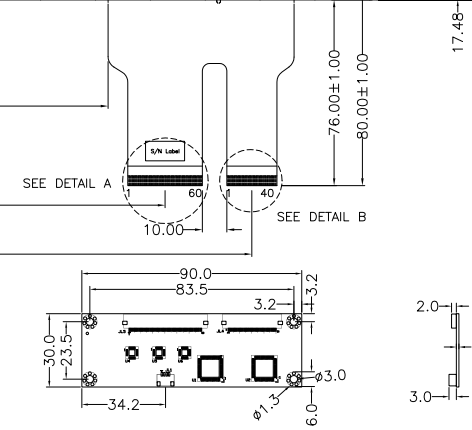
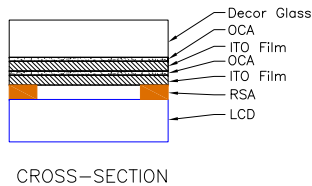
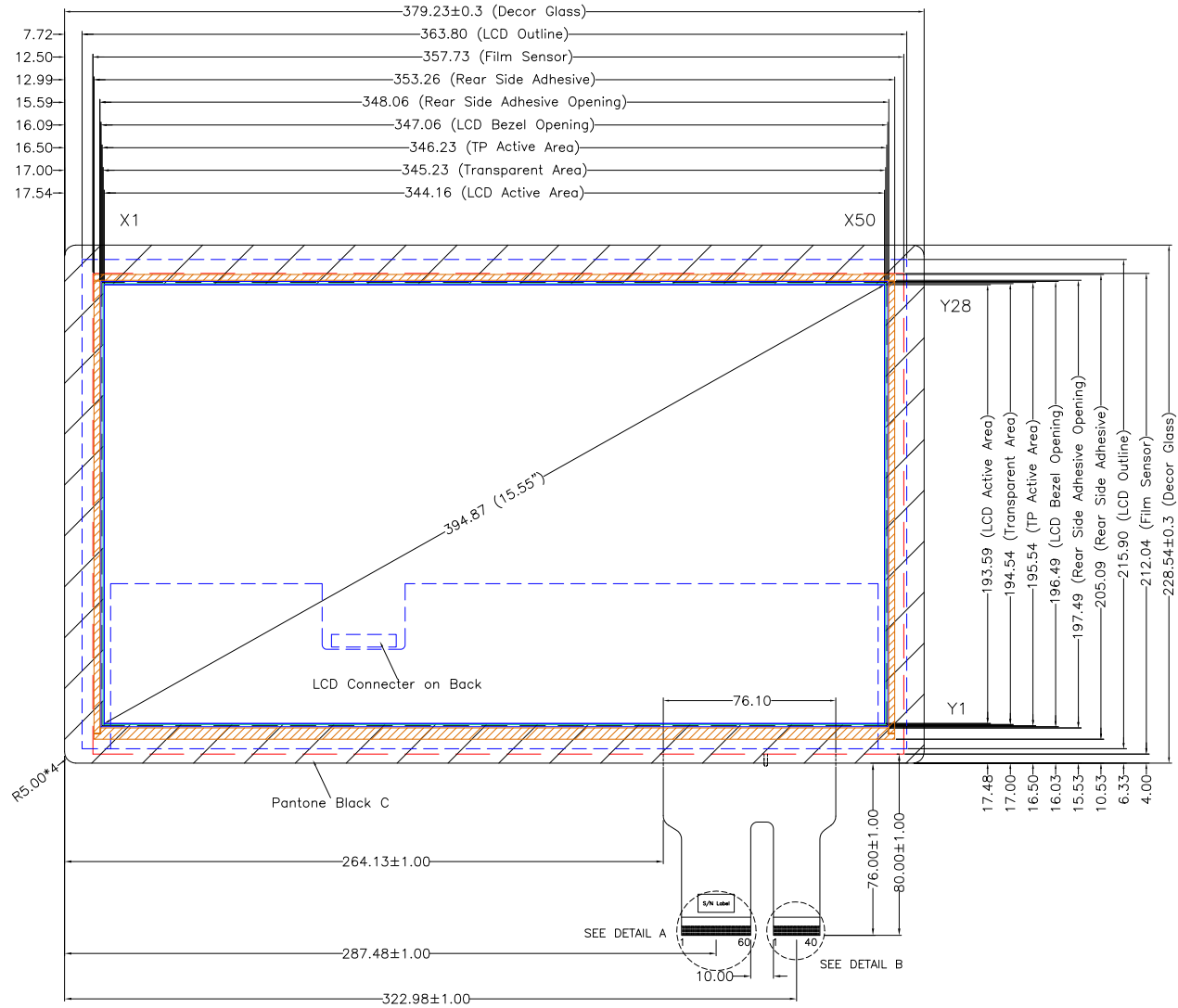
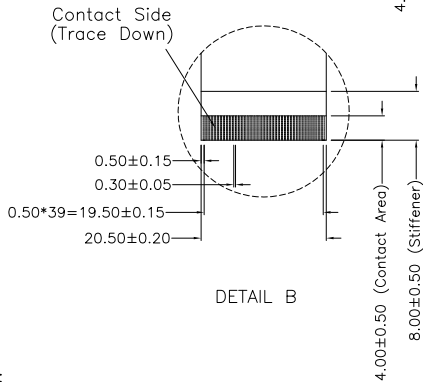
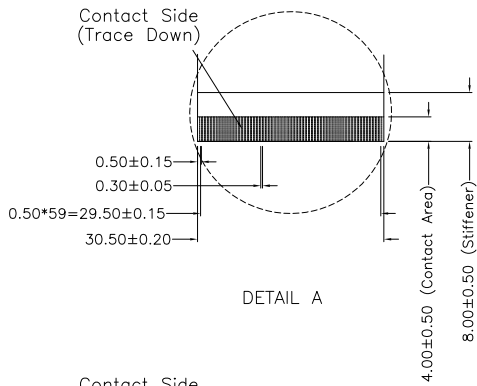


Touch Side View

JL5	
PIN#	DESIGNATION
1	System_GND
2	Guard Ring
3-52	X1-X50
53-58	NC
59	Guard Ring
60	System_GND

JL1 (USB)	
PIN#	DESIGNATION
1	USB_5V
2	D-
3	D+
4	GND

JL4	
PIN#	DESIGNATION
1	System_GND
2	Guard Ring
3-10	NC
11-38	Y1-Y28
39	Guard Ring
40	System_GND



- NOTES:
- OVERALL THICKNESS : 11.90mm(REFERENCE ONLY)
 - LCD : INNOLUX G156HCE-L01
 - TOUCH PANEL : 92-K3101-AGO-F01
 - PROCESS : AIR BONDING
 - REAR SIDE ADHESIVE : 3M VHB 4920, THICKNESS 0.40mm
 - OTHER SPEC : SEE APPROVAL SHEET



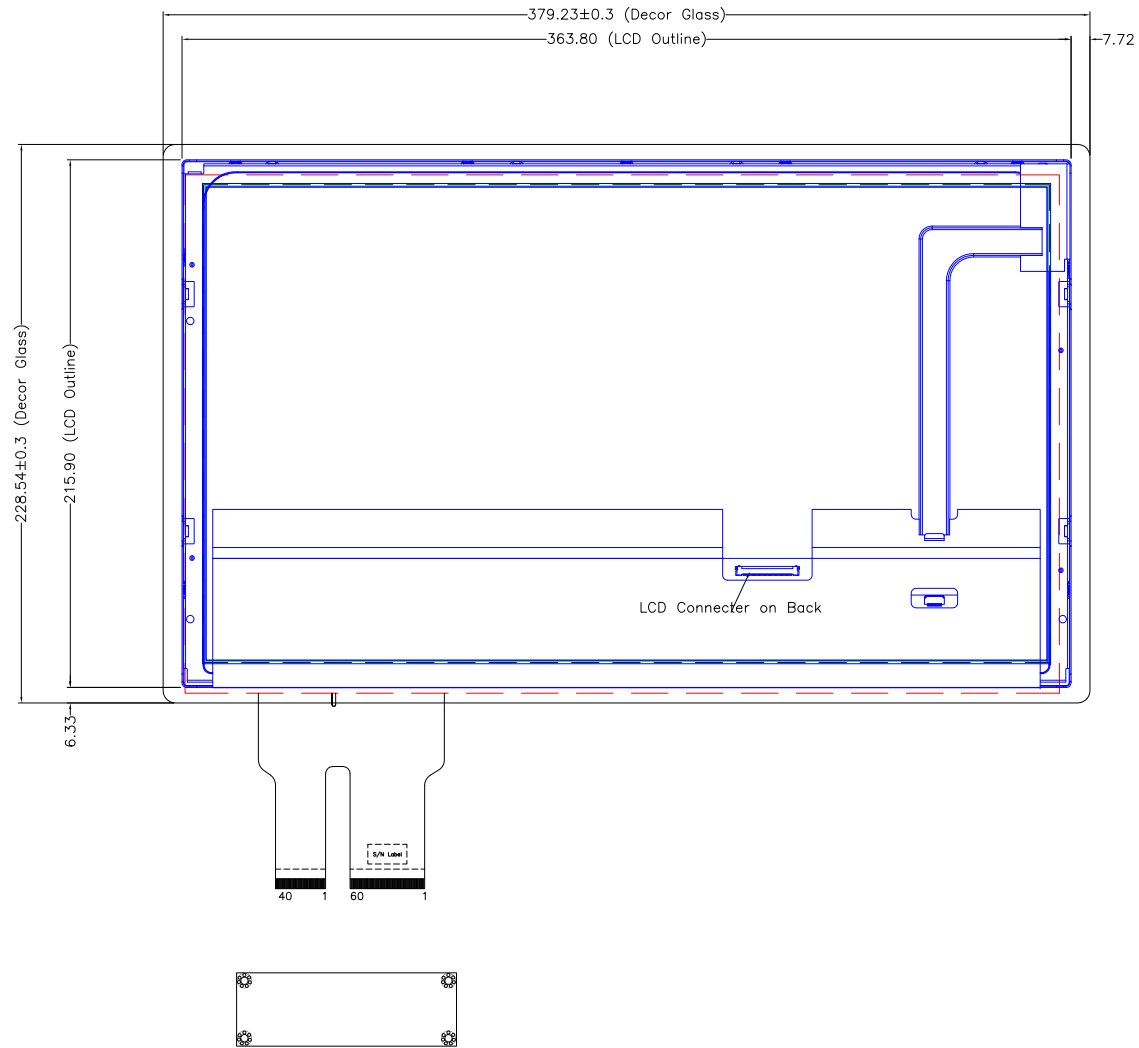
NO.	DATE	DESCRIPTION	CHK
REVISION			
CHIEF OF DESIGN		APPROVED	Orly
DRAWN BY	Leo	DATE	2022.10.21
SHEET 1 OF 2			

Apex Material Technology Corp.

TOLERANCES UNLESS SPECIFIED		DWG NO :
.X	± 0.50	AD-96-T1560-000-B01-01
.XX	± 0.50	
.XXX	± 0.30	
ANGULAR	.	SCALE: N/S UNIT: mm

Part Number:
96-T1560-000-B01

Rear Side View



Apex Material Technology Corp.

NO.	DATE	DESCRIPTION	CHK
REVISION			
CHIEF OF DESIGN		APPROVED	Orly
DRAWN BY	Leo	DATE	2022.10.21
SHEET 2 OF 2			

TOLERANCES UNLESS SPECIFIED		DWG NO : AD-96-T1560-000-B01-01
.X	± 0.50	
.XX	± 0.50	
.XXX	± 0.30	
ANGULAR	.	SCALE: N/S UNIT: mm

