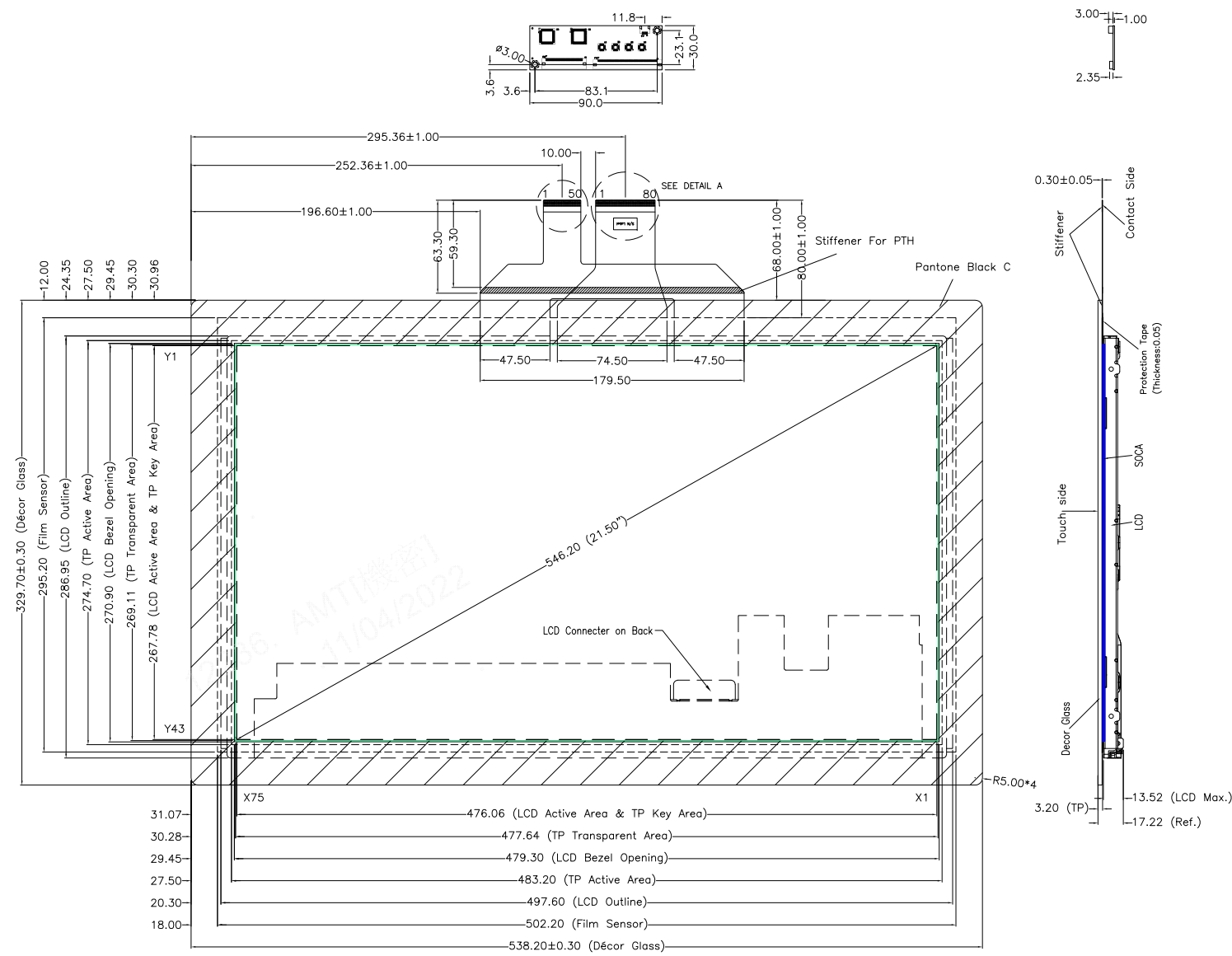
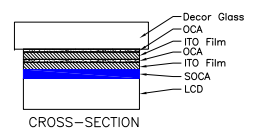
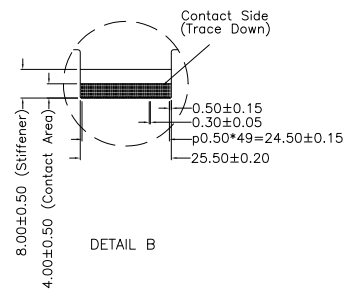
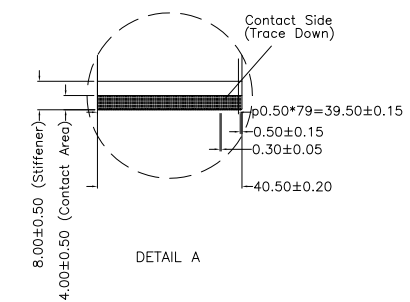


TOUCH SIDE VIEW

PIN#	Assignment(JL1)
1	GND
2	NC
3-77	X75-X1
78	NC
79-80	GND

PIN#	DESIGNATION
1	USB_5V
2	D-
3	D+
4	GND

PIN#	Assignment(JL2)
1	GND
2-5	NC
6-48	Y43-Y1
49	NC
50	GND



- NOTES:
1. OVERALL THICKNESS : 17.22mm(REFERENCE ONLY)
 2. LCD : INNOLUX G215HCJ-L01
 3. TOUCH PANEL : 92-P3022-AGE-F02
 4. PROCESS : DRY BONDING
 5. OTHER SPEC : SEE APPROVAL SHEET

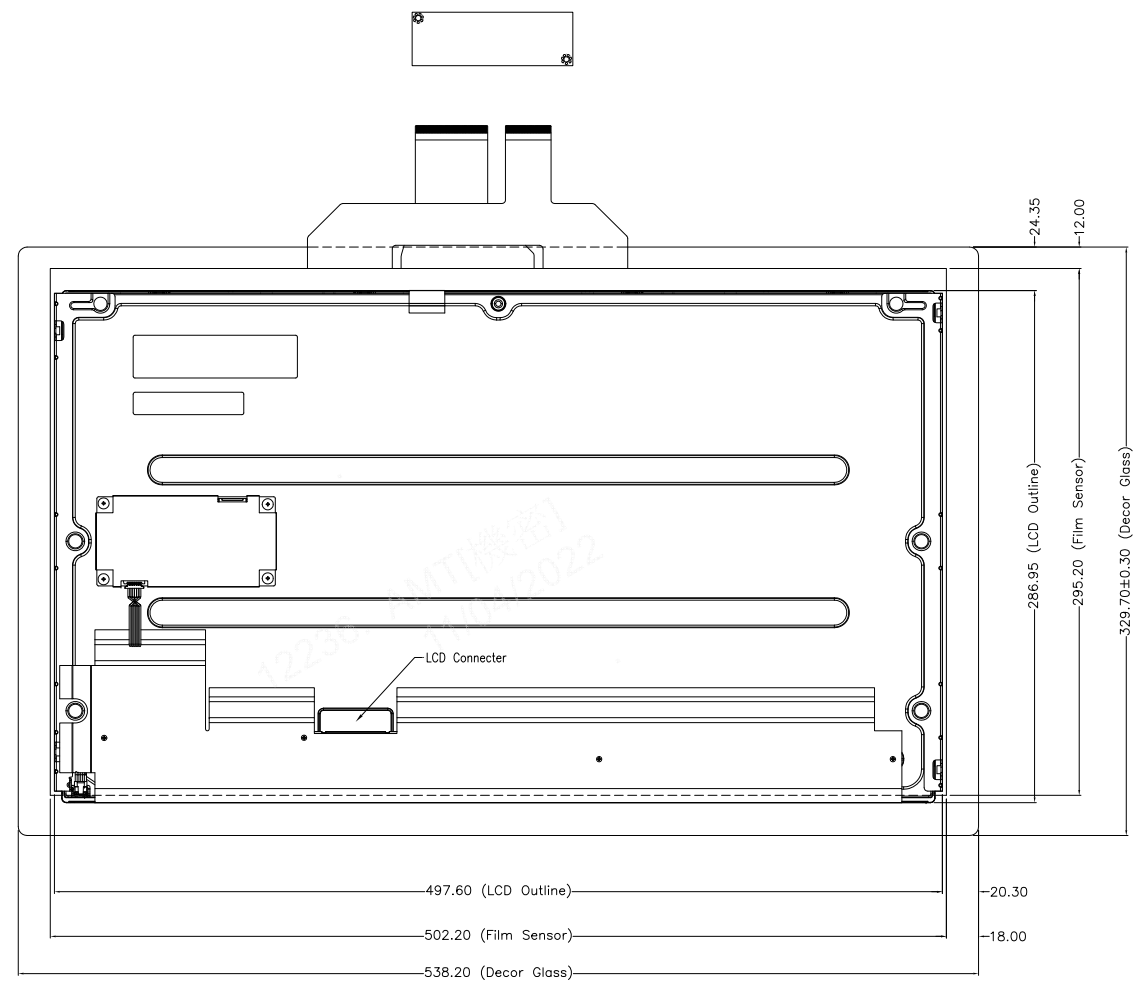


NO.	DATE	DESCRIPTION	CHK
REVISION			
CHIEF OF DESIGN		APPROVED	Orly
DRAWN BY	Jackson	DATE	2022.11.02
SHEET 1 OF 2			

Apex Material Technology Corp.	
TOLERANCES UNLESS SPECIFIED	
.X	± 0.50
.XX	± 0.50
.XXX	± 0.30
ANGULAR	.
DWG NO : AD-96-T2150-000-A01-011	
SCALE: N/S UNIT: mm	

Part Number:
96-T2150-000-A01

REAR SIDE VIEW



Apex Material Technology Corp.

NO.	DATE	DESCRIPTION	CHK
REVISION			
CHIEF OF DESIGN		APPROVED	Orly
DRAWN BY	Jackson	DATE	2022.11.02
SHEET 2 OF 2			

TOLERANCES UNLESS SPECIFIED		DWG NO :
.X	± 0.50	AD-96-T2150-000-A01-011
.XX	± 0.50	
.XXX	± 0.30	
ANGULAR	.	SCALE: N/S UNIT: mm

