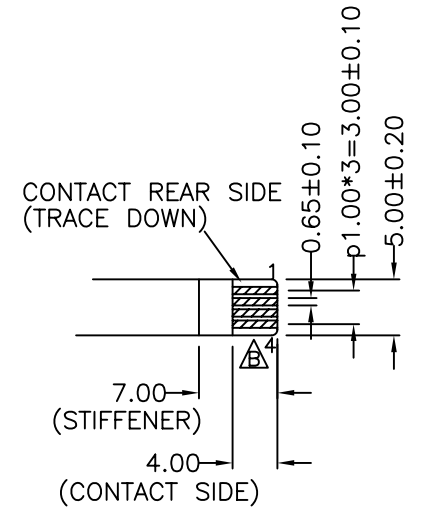
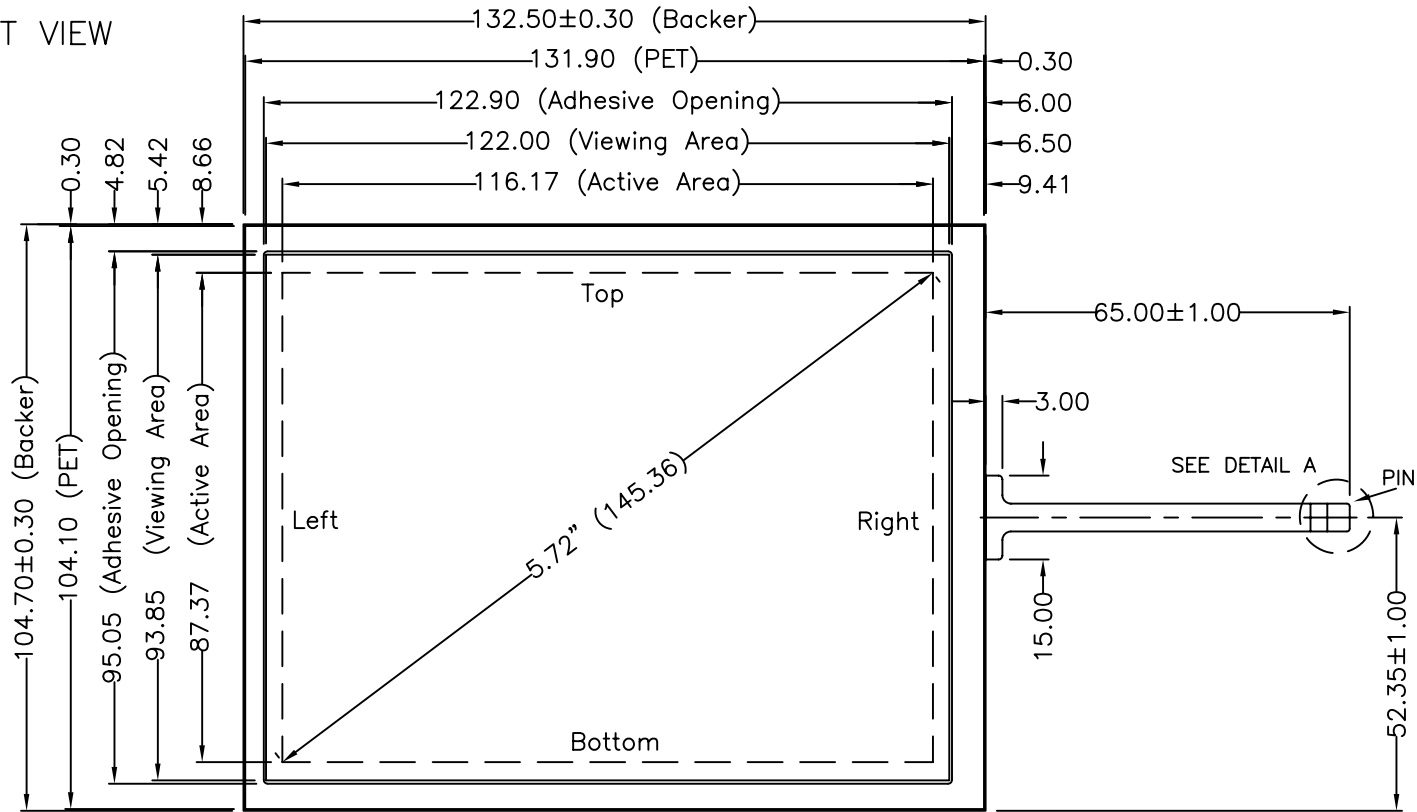
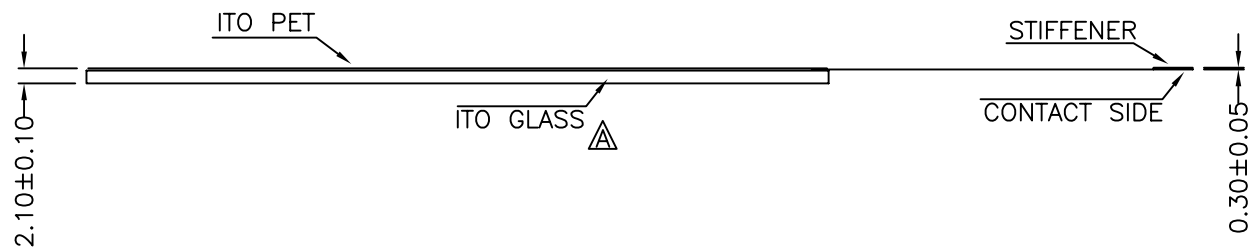


FRONT VIEW



DETAIL A



Pin #	Assignment
1	Top
2	Right
3	Bottom
4	Left

NOTES:

1. ITO GLASS THICKNESS : 1.80mm
2. OVERALL THICKNESS : 2.10±0.10mm
3. CONNECTOR AND PINOUT AS INDICATED
4. FRONT SURFACE : ANTI-GLARE HARDCOAT
5. LAYER TO LAYER ASSEMBLY TOLERANCE: ±0.30mm
6. TAIL TYPE : IMMERSION GOLD PLATED FPC , ZIF
7. OTHER SPEC : SEE APPROVAL SHEET



NO.	DATE	DESCRIPTION	CHK
C	APR 24, 2008	MODIFY DOT DIAMETER	ALEX
B	JAN 10, 2006	CONDUCTOR IMMERSION GOLD PLATED	ALEX
A	OCT 12, 2004	MODIFY ITO GLASS & DOT SPACER DIMENSION	ALEX
REVISION			
CHIEF OF DESIGN		APPROVED	Alex
ENGINEER		PROJECT MANAGER	
DRAWN BY	Denise	DATE	APR 24, 2008
SHT	1 OF 1	REV.	C

Apex Material Technology Corp.

TOLERANCES UNLESS SPECIFIED		MODEL NAME:
.X	± 0.50	98531
.XX	± 0.50	DWG NO: 98531-3-01
.XXX	± 0.30	SCALE: 1:1 UNIT: mm
ANGULAR	.	