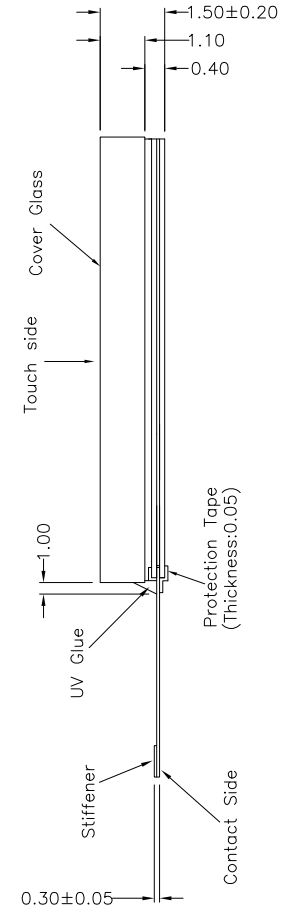
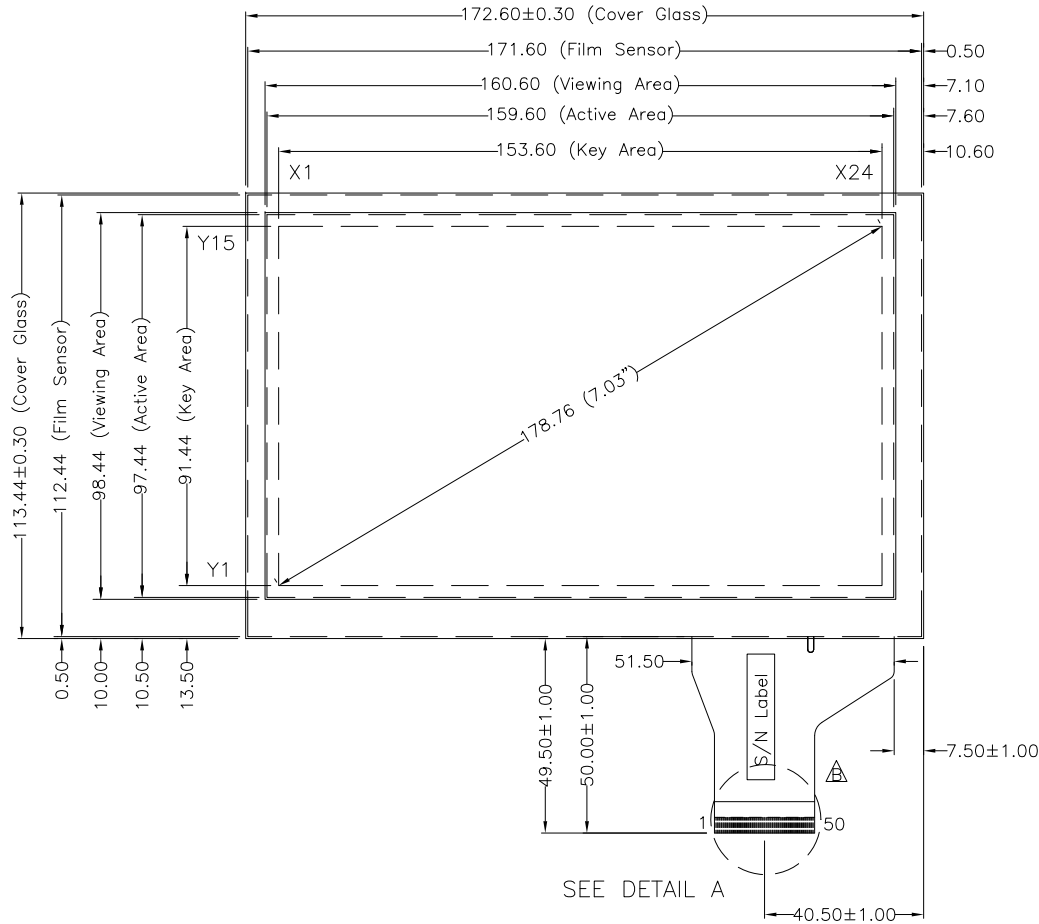
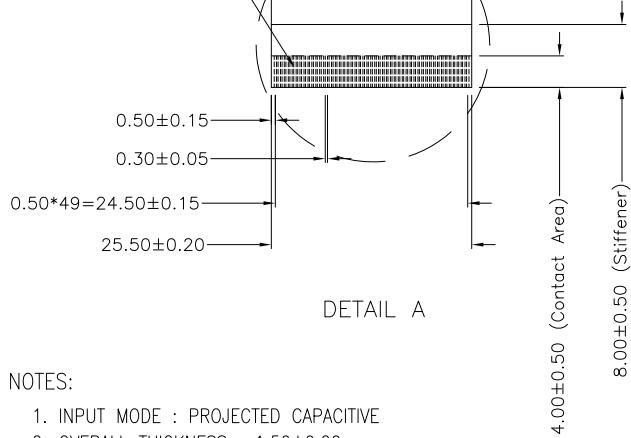


TOUCH SIDE VIEW

PIN#	Assignment
1-2	Grounding Line
3	Blank
4-27	X1-X24
28	Blank
29-30	Grounding Line
31	Blank
32-46	Y1-Y15
47-49	Blank
50	Grounding Line



Contact Side  
(Trace Down)



- NOTES:
- INPUT MODE : PROJECTED CAPACITIVE
  - OVERALL THICKNESS : 1.50±0.20mm
  - COVER GLASS THICKNESS : 1.10mm
  - FRONT SURFACE : CLEAR
  - TAIL TYPE : GOLD PLATED FPC , ZIF
  - RECOMMENDED CONTROL BOARDS : PENMOUNT PM1210 SERIES
  - OTHER SPEC : SEE APPROVAL SHEET
  - PLEASE REFER TO AMT TOUCH SCREEN INTEGRATION GUIDES FOR SYSTEM MECHANICAL DESIGN AND ASSEMBLY METHODS

NO.	DATE	DESCRIPTION	CHK
B	Jun. 8, 2015	MODIFY TAIL, PIN ASSIGNMENT AND ITO FILM	Jerry
A	Mar. 7, 2012	REMOVED Y AXIS ITO GROUNDING LINE	Jerry
REVISION			
CHIEF OF DESIGN		APPROVED	Jerry
DRAWN BY	Tim	DATE	Jun. 8, 2015
SHEET 1 OF 1			

Apex Material Technology Corp.		DWG NO :
		P3012-A2-2-01
TOLERANCES UNLESS SPECIFIED		SCALE: N/S UNIT: mm
.X	± 0.50	
.XX	± 0.50	
.XXX	± 0.30	
ANGULAR		

