

PENMOUNT PM2205 CONTROL BOARD DATASHEET

Version 1.1
19/Feb/'20

Table of contents

Table of contents.....	2
Revision history.....	3
1.0 Introduction	4
2.0 Specifications	5
3.0 Mechanical drawing.....	6
3.1 Mechanical size.....	6
3.2 Touch line pin definition	8
3.3 Interface pin definition	9
3.4 Connector specifications	12
4.0 Drivers and Utilities	13
4.1 Drivers.....	13
4.2 Utilities.....	13
5.0 Others	14
5.1 ROHS compliance.....	14
5.2 EMC protection recommendations	14
5.3 Noise Protection	14

Revision history

Rev.	Date	By	Summary	Remark
1.0	2019/11/11	Kenhsu	New Release	
1.1	2020/2/19	Kenhsu	Added I ² C and Uart interfaces	

1.0 Introduction

The PenMount PM2205 series control board is a high specification (Projected Capacitive Input, PCI) touch panel controller product introduced by PenMount. The PenMount PM2205 can be applied in the consumer, commercial and the industrial fields.

The PenMount PM2205 series provides three types of interfaces, USB 、I²C 、UART and supports PCI touch panels sized from 5" to 7.9". PenMount PM2205 series also supports a wide range of operating systems such as Windows and Linux.

The PenMount PM2205 series is developed based on Microchip microprocessors and is paired with PenMount's in-house hardware design and firmware algorithmic mechanism. It provides high performance computing and possesses excellent anti-noise capabilities.

2.0 Specifications

Parameter		feature
Controller part number		PenMount P2-08
Number of sensing line		23
Number of driving line		19
Supporting projected capacitive touch panel size		Projected capacitive type, from 5" to 7.9"
Interface	PM2205	USB Full-speed, 12Mbps I ² C Slave, support 100 / 400 kHz specifications UART 38400 baud rate / 8bit data / non parity / one stop bit / non-PnP
	PM2205U	USB Full-speed, 12Mbps
ADC resolution		10bits (Typical)
Firmware resolution		4096 x 4096 (Typical)
Response time		Average < 30ms
Sampling rate	One point	150 Hz(Typical)
	Five points	100 Hz(Typical)
Operating voltage		+5Vdc ±5 %
Power consumption	Working mode	50mA @ 5Vdc (Typical)
	Idle mode	30mA @ 5Vdc (Typical)
	Sleep mode	3mA @ 5Vdc (Typical)
Operating temperature		-40°C ~ +85°C
Storage temperature		-40°C ~ +85°C
Relative humidity range		95% RH at 60°C. RH Non-condensing
EMS specification	RS	IEC61000-4-3 Level 3 , Criteria A
	CS	IEC61000-4-6 Level 3 , Criteria A
Watchdog Timer		Support WDT function through firmware programming

Note :

CS and RS performance, Power consumption and sample rate will vary according to different firmware versions.

3.0 Mechanical drawing

3.1 Mechanical size

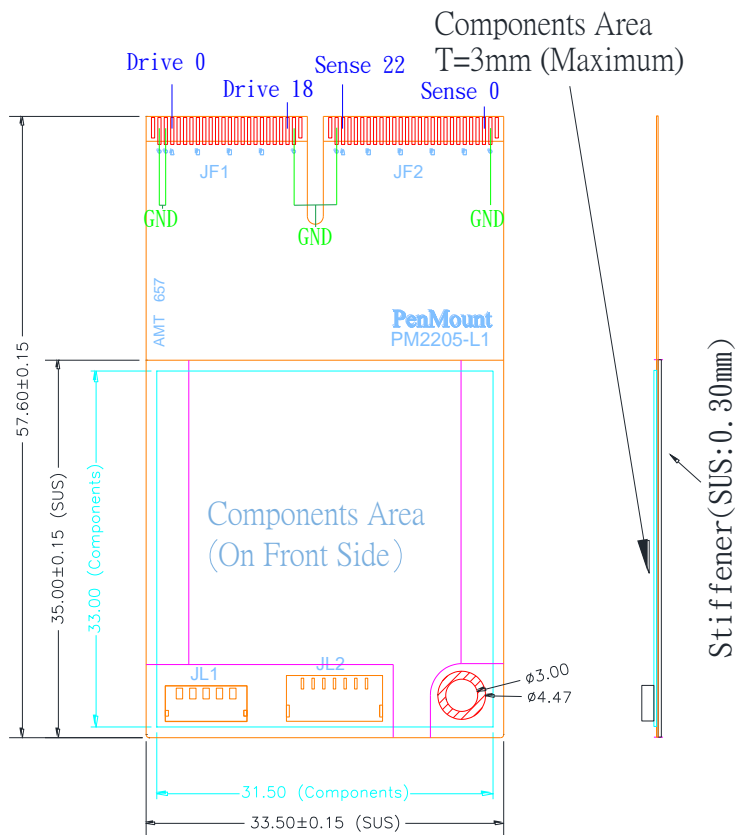


Figure1 PM2205

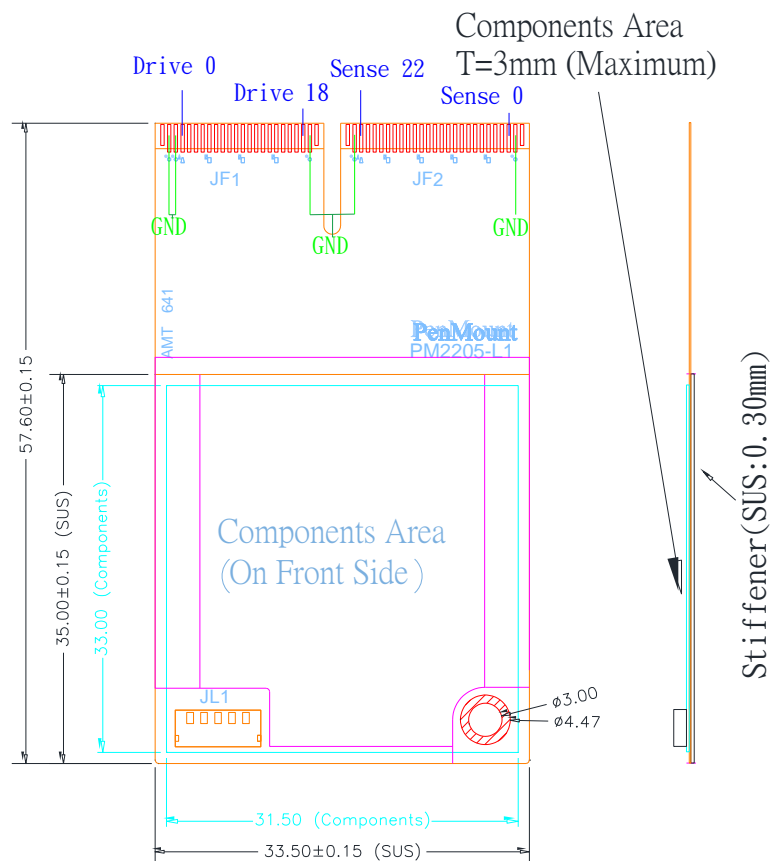


Figure2 PM2205U

3.2 Touch line pin definition

JF2							
PIN	Description	PIN	Description	PIN	Description	PIN	Description
1	GND	8	Cap Sense 16	15	Cap Sense 9	22	Cap Sense 2
2	Cap Sense 22	9	Cap Sense 15	16	Cap Sense 8	23	Cap Sense 1
3	Cap Sense 21	10	Cap Sense 14	17	Cap Sense 7	24	Cap Sense 0
4	Cap Sense 20	11	Cap Sense 13	18	Cap Sense 6	25	GND
5	Cap Sense 19	12	Cap Sense 12	19	Cap Sense 5		
6	Cap Sense 18	13	Cap Sense 11	20	Cap Sense 4		
7	Cap Sense 17	14	Cap Sense 10	21	Cap Sense 3		

JF1							
PIN	Description	PIN	Description	PIN	Description	PIN	Description
1	GND	7	Cap Drive 4	13	Cap Drive 10	19	Cap Drive 16
2	GND	8	Cap Drive 5	14	Cap Drive 11	20	Cap Drive 17
3	Cap Drive 0	9	Cap Drive 6	15	Cap Drive 12	21	Cap Drive 18
4	Cap Drive 1	10	Cap Drive 7	16	Cap Drive 13	22	GND
5	Cap Drive 2	11	Cap Drive 8	17	Cap Drive 14		
6	Cap Drive 3	12	Cap Drive 9	18	Cap Drive 15		

3.3 Interface pin definition

PM2205 series includes USB / I²C /UART communication interfaces, intends to maximize application flexibility and reliability, and minimizes cost through elimination of external components.

JL1 / 5PIN / UYT 1W1258WOR0-05K						
PIN NO.	USB	Description	Min	Typ	Max	Unit
1	VCC	Positive power supply		5		V
2	D-	D- pin of internal USB transceiver		3.3		V
3	D+	D+ pin of internal USB transceiver		3.3		V
4	GND	Ground		0		V
5	SW	Pull low for disable touch function, release this pin will back to enable touch function, Leave the pin unconnected if not used.				V

USB



Figure3 USB interface

JL2 / 7PIN ; ACES 50224-00701-001			
PIN NO.	SYMBOL	PIN ASSIGNMENT	
		I ² C	UART
1	VCC	VCC	VCC
2	GND	Ground	Ground
3	SCL / RXD	SCL	RXD
4	SDA / TXD	SDA	TXD
5	nRESET	N.C.	N.C.
6	nDETECT	N.C.	Low
7	nINT	nINT	Low

PIN NO.	Type	Description	Min	Typ	Max	Unit
VCC	P	Positive power supply		5		V
GND	P	Ground		0		V
SCL	I/O	Serial clock line for I ² C. Open drain requires external pull-up to 3.3V.		3.3		V
SDA	I/O	Serial data line for I ² C. Open drain requires external pull-up to 3.3V		3.3		V
RXD	I	UART receive		3.3		V
TXD	O	UART transmit		3.3		V
nRESET	I	Open-drain and active low to reset PM2205 and must be driven low for 5 μs (typical) to be valid. Leave the pin unconnected if not used.				V
nDETECT	I	Pull low when selecting UART interface float when selecting I ² C interface		0		V
nINT	O	Processor Interrupt. This pin is active low, open drain requires external pull-up to 3.3V.		3.3		V

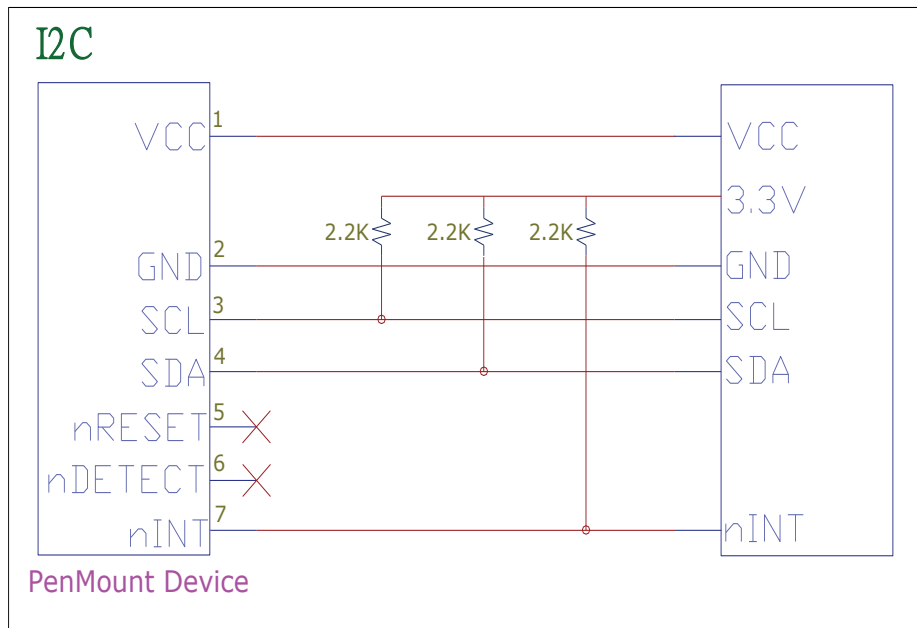


Figure4 I²C interface

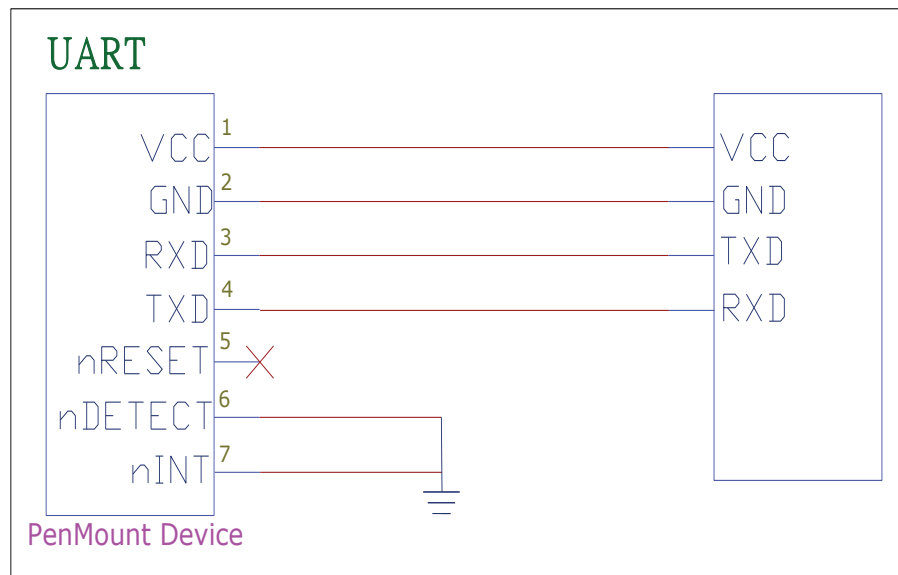
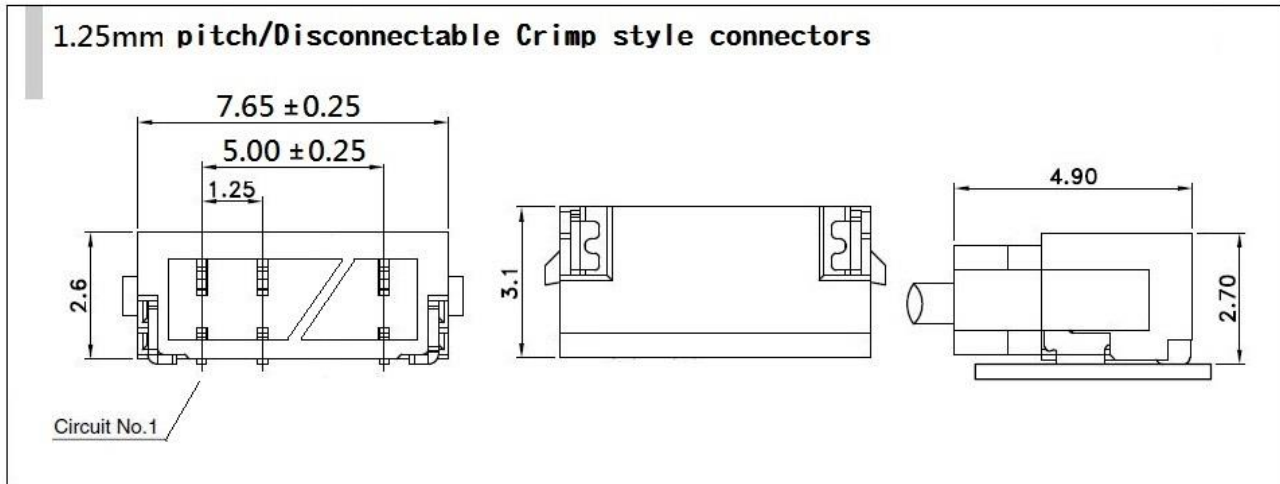


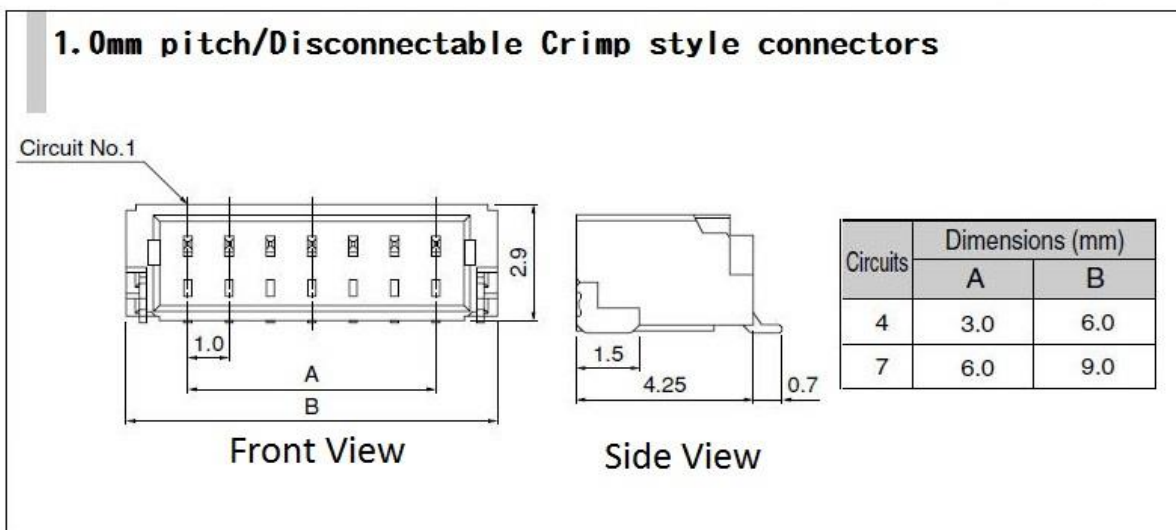
Figure5 UART interface

3.4 Connector specifications

JL1 USB Connector



JL2 I²C/UART Connector



4.0 Drivers and Utilities

4.1 Drivers

For I²C:

- Windows CE : Binary driver for freescale iMX platform. Other platform by request.
- Linux / Android : Source code for integration.

For USB

- Windows 2000, XP, 2003: single touch, mouse driver.
- Windows Vista: single touch, inbox driver.
- Windows 7,8,10: multi touch, Inbox driver.
- Linux: Ubuntu, Android, other Linux distributions under development.

For UART

- Windows 2000, XP, 2003: single touch, mouse driver.
- Windows Vista: single touch, digitizer driver.
- Windows 7,8,10: 5 touches support, digitizer driver.
- Linux: inbox driver after kernel 3.2, provide source code for kernel 2.6

(Provide source code for integration if any)

4.2 Utilities

Firmware adjustment utility allows user to fine tune the touch panel sensitivity.

Note:

All drivers and utilities are available on PenMount websites. Please contact us for further information.

5.0 Others

5.1 ROHS compliance

This control board is ROHS compliant

5.2 EMC protection recommendations

Please refer to PCI touch screen integration guides.

5.3 Noise Protection

To achieve good noise interference protection capabilities, PenMount requires paired interface cables possess comprehensive EMI shielding.

The cable should have a woven or spirally copper shield with 360 ° shield coverage
 The shield must be terminated to the receptacle and be connected to ground plane carefully.

Below is an example for 4-pin USB cable diagram. For other implementation, please follow the same design rules.

